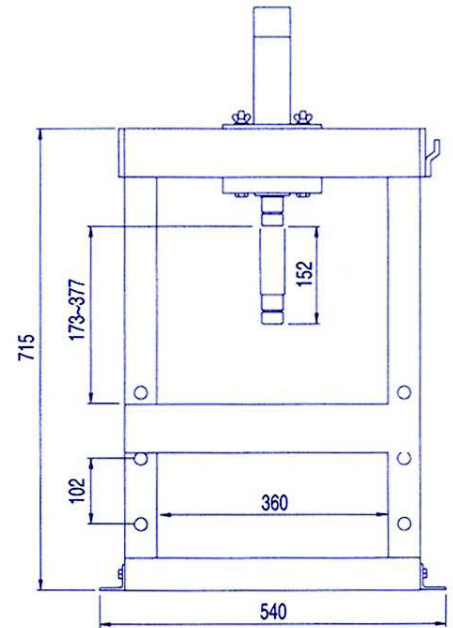
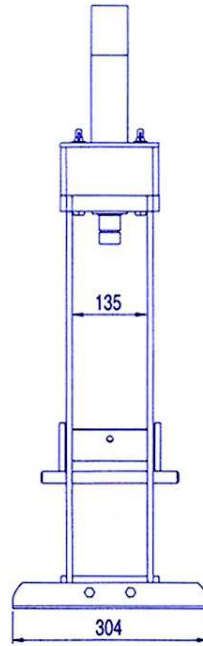
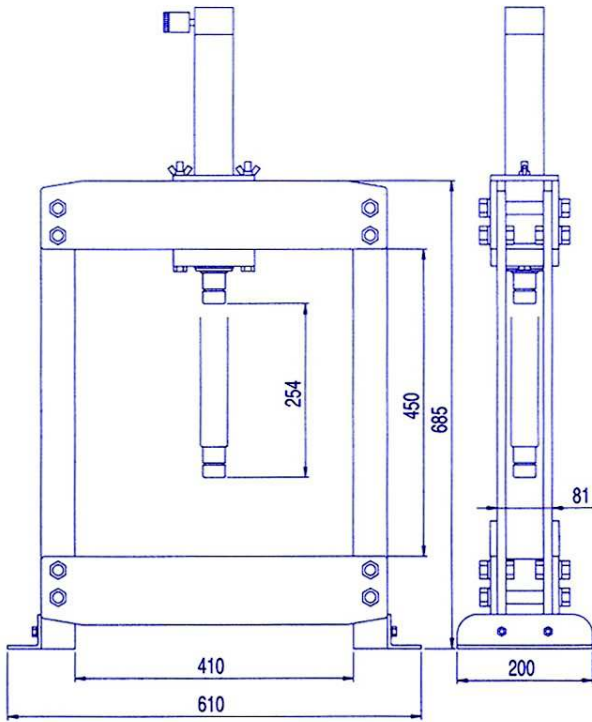


# BENCH PRESSES

BP1101

BP1201



**MODEL: BP1101**

**Capacity: 10 Ton**

**FEATURES**

Rugged bolt-together construction.

10 Ton single-acting hydraulic ram with a 10" stroke.

Sliding ram mount centers over work piece and locks in any position.

Manually operated two-speed pump provides quick ram travelling time to load.

N.W. 50 KG G.W. 52 KG CUFT. 1.8'

**MODEL: BP1201**

**Capacity: 10 Ton**

**FEATURES**

Welded steel frame with 2 end braces provides stability.

Adjustable work bed provides maximum flexibility for fitting your workpiece.

Hydraulic power is supplied by a single-speed Jackram series hand pump.

N.W. 47 KG G.W. 52 KG CUFT. 2.2'

**MODEL: BP101**

**EACH SET INCLUDES**

Holding plate (C0441)

Ram push adapter with 1/2" dia. Shank (B0547)

N.W. 7 KG G.W. 7.5 KG CUFT. 0.2'

## POWERRAM HYDRAULIC TOOLS

ORDER CODE	LIST PRICE
BP1101	410.80
BP1201	362.50
BP101	44.75

"Floor standing" shop presses also available. (up to 30 Ton)

BP101

