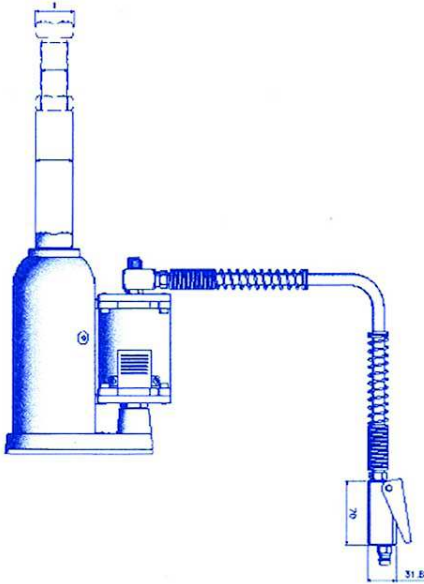


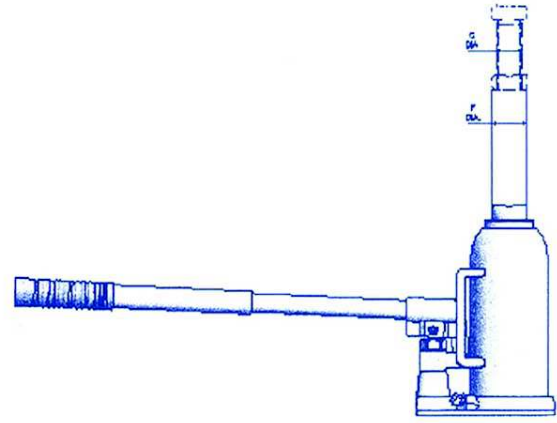
AIR/HYDRAULIC BOTTLE JACKS



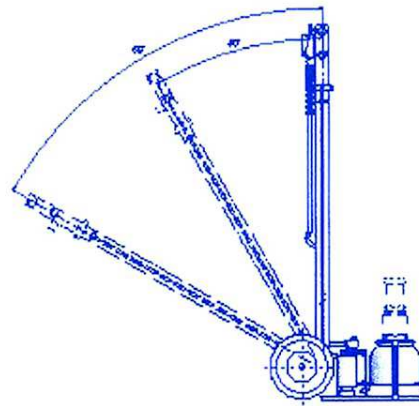
AJ120



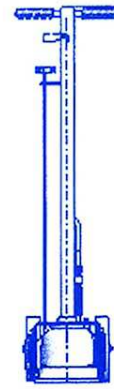
BJ 120/220/300/500



AJ220



AJ300



AJ500

POWERRAM HYDRAULIC TOOLS

Low profile design for most industrial applications.

Forged base of the strongest construction.

Housing welded to the forged base to prevent oil leak problems.

Telescopic design of AJ300 & AJ500 reaches the extra height needed during operation to save time.

AJ300 & AJ500 equipped with two large dia. rubber wheels to provide the greatest convenience and mobility.

Four adjustable positions on the jack handle allows for easy jacking operation.

Air/Hydraulic design does the pumping for you more efficiently than manual pumping.

ORDER CODE	CAPACITY (TON)		MIN. HT. (mm)	MAX. HT. (mm)	STROKE (mm)		HANDLE LENGTH (mm)	BASE SIZE L x W (mm)	LIST PRICE
	1st STAGE	2nd STAGE			1st STAGE	2nd STAGE			
AJ120	12	-	241	394	153	-	-	160 x 105	230.00
AJ220	22	-	244	357	133	-	-	185 x 130	358.00
AJ300	14	27	202	375	87	86	1115	460 x 260	543.77
AJ500	20	35	205	377	87	87	1115	460 x 260	630.50
BJ120	12	-	241	394	153	-	-	160 x 105	144.39
BJ220	22	-	244	357	133	-	-	185 x 130	158.70
BJ300	30	-	279	441	162	-	-	230 x 150	485.00
BJ500	50	-	310	474	164	-	-	260 x 180	495.80