

# HAND PUMPS



HA - 700



HC - 2500

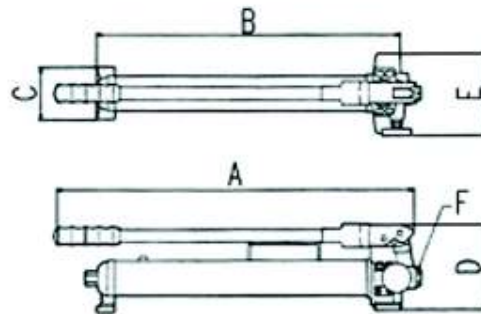


HA - 350



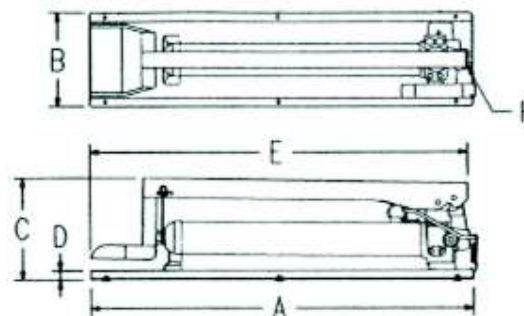
ITEM NUMBER: HE - 2421

- SINGLE AND TWO SPEED MODELS AVAILABLE
- TWO SPEED PUMPS
- INTERNAL OVERLOAD VALVE
- EXTERNAL ADJUSTABLE RELIEF VALVE
- CARRYING HANDLES
- ALL METAL STRONG CONSTRUCTION
- ANTI LEAK MECHANISM



ITEM NUMBER	PRESSURE RATING (BAR)		USABLE OIL CAPACITY (CC)	OIL VOLUME PER STROKE (CC)		A (MM)	B (MM)	C (MM)	D (MM)	E (MM)	OIL PORT THREAD F	WEIGHT (KGS)	LIST PRICE
	1ST STAGE	2ND STAGE		1ST STAGE	2ND STAGE								
HB350	13.8	700	350	13.0	2.8	343	310	66	146	142	3/8 NPT	5.9	£94.05
HB600	13.8	700	600	13.0	2.8	543	480	90	146	142	3/8 NPT	7.6	£99.60
HB700	13.8	700	700	13.0	2.8	633	528	90	146	142	3/8 NPT	8	£107.70
HC1500	13.8	700	1500	13.0	2.8	633	551	106	200	142	3/8 NPT	11.2	£131.54
HC2500	13.8	700	2500	13.0	2.8	713	632	106	200	142	3/8 NPT	12	£143.53
HE2000	13.8	700	2000	13.0	2.8	580	523	140	189	148	3/8 NPT	11.5	£155.28
HE2421	13.8	700	2000	13.0	2.8	580	523	140	189	148	-	12.0	£337.69
HF350	13.8	700	350	7.0	1.0	343	310	66	127	142	3/8 NPT	5.5	£95.38
HA350	700		350	3.2		343	292	90	146	142	3/8 NPT	5.7	£67.20
HA600	700		600	3.2		543	478	90	146	142	3/8 NPT	7.1	£75.73
HA700	700		700	3.2		633	526	90	146	142	3/8 NPT	7.6	£83.69
HD300	700		300	2.8		330	283	90	127	130	1/4 NPT	4.4	£44.64
HD500	700		500	2.8		530	469	90	127	130	1/4 NPT	5.4	£55.68

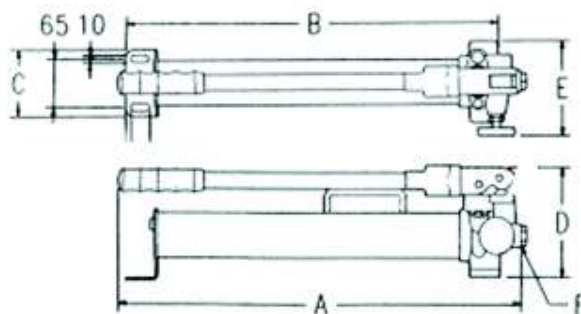
# FOOT PUMPS



## TWO SPEED - FOOT PUMPS

ITEM NUMBER	PRESSURE RATING (BAR)		USABLE OIL CAPACITY (CC)	OIL VOLUME PER STROKE (CC)		A (MM)	B (MM)	C (MM)	D (MM)	E (MM)	OIL PORT THREAD F	WEIGHT (KGS)	LIST PRICE
	1ST STAGE	2ND STAGE		1ST STAGE	2ND STAGE								
FHA350	700		350	3.1		474	174	192	17	461	3/8 NPT	8.4	£94.90
FHA600	700		600	3.1		660	174	192	17	647	3/8 NPT	10.3	£103.60
FHA700	700		700	3.1		708	174	192	17	695	3/8 NPT	10.7	£113.19
FHB350	13.8	700	350	13.0	2.8	474	174	192	17	461	3/8 NPT	8.5	£121.12
FHB600	13.8	700	700	13.0	2.8	660	174	192	17	647	3/8 NPT	10.8	£136.32
FHB700	13.8	700	700	13.0	2.8	708	174	192	17	695	3/8 NPT	11.1	£145.89

# HEAVY DUTY HAND PUMPS



## SINGLE - SPEED HEAVY DUTY HAND PUMPS

ITEM NUMBER	PRESSURE RATING (BAR)		USABLE OIL CAPACITY (CC)	OIL VOLUME PER STROKE (CC)		A (MM)	B (MM)	C (MM)	D (MM)	E (MM)	OIL PORT THREAD F	WEIGHT (KGS)	LIST PRICE
	1ST STAGE	2ND STAGE		1ST STAGE	2ND STAGE								
PA350	700		350	3.1		335	295	90	146	128	3/8 NPT	5	£86.07
PA600	700		600	3.1		545	485	90	146	128	3/8 NPT	6.1	£98.05
PA700	700		700	3.1		632	533	90	146	128	3/8 NPT	6.5	£105.38

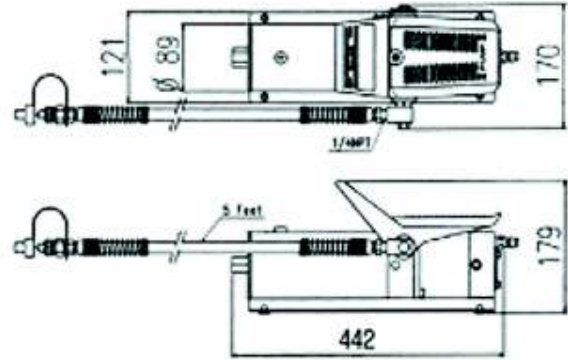
## TWO - SPEED HEAVY DUTY HAND PUMPS

ITEM NUMBER	PRESSURE RATING (BAR)		USABLE OIL CAPACITY (CC)	OIL VOLUME PER STROKE (CC)		A (MM)	B (MM)	C (MM)	D (MM)	E (MM)	OIL PORT THREAD F	WEIGHT (KGS)	LIST PRICE
	1ST STAGE	2ND STAGE		1ST STAGE	2ND STAGE								
PB350	13.8	700	350	13.0	2.8	335	303	90	146	128	3/8 NPT	5.5	£93.17
PB600	13.8	700	600	13.0	2.8	545	493	90	146	128	3/8 NPT	7	£108.25
PB700	13.8	700	700	13.0	2.8	632	541	90	146	128	3/8 NPT	7.3	£119.56

# AIR / HYDRAULIC PUMPS



AP - 921



ITEM No.	USEABLE OIL CAPACITY (c.c)	RATED PRESSURE	WEIGHT	LIST PRICE
AP - 921	750	10'000 PSI	5.4 KGS	£287.72

## ALUMINIUM HAND PUMPS



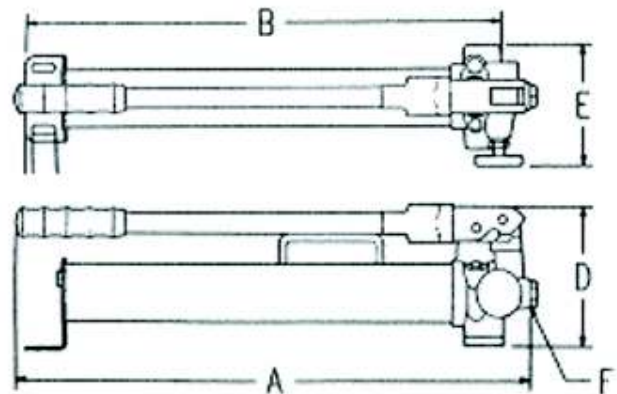
P - 350



AHP - 700  
AHPA - 700



UHP - 2800  
(2800 BAR)



ITEM NUMBER	PRESSURE RATING (BAR)		USABLE OIL CAPACITY (CC)	OIL VOLUME PER STROKE (CC)		A (MM)	B (MM)	C (MM)	D (MM)	E (MM)	OIL PORT THREAD F	WEIGHT (KGS)	LIST PRICE
	1ST STAGE	2ND STAGE		1ST STAGE	2ND STAGE								
P - 350	13.8	422	350	13.0	2.8	363	238	89	126	122	3/8" UPT	3.6	£143.97
UHP - 2800	14	2800	1000	14.0	2.6	615	540	80	150	120	3/4" - 16 UNF	5.3	£470.50
AHP - 700	14	700	1000	14.0	2.6	615	540	80	150	120	3/8" NPT	5.3	£215.75
AHPA - 700	700		1000	14.0	2.6	615	583	80	130	96	1/4" NPT	4.3	£175.50