

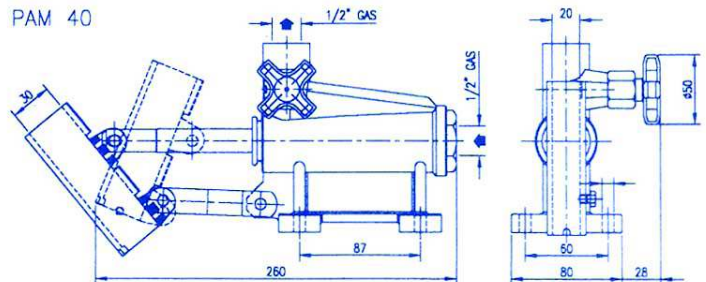
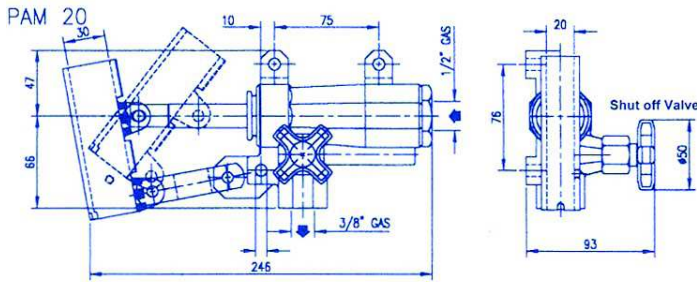
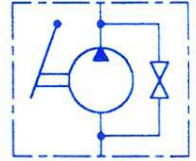
STANDARD PRESSURE HAND PUMP

DOUBLE ACTING LEVER FOR SINGLE ACTING CYLINDERS

TYPE	ORDER CODE	CAPACITY cm ³ /cycle	PRESSURE MAX bar	LIST PRICE
PAM 20	PAM0142000	20	350	97.24
PAM 40	PAM0144000	40	280	111.39
HANDLE	PAM0290000			7.51

TYPE PAM.V

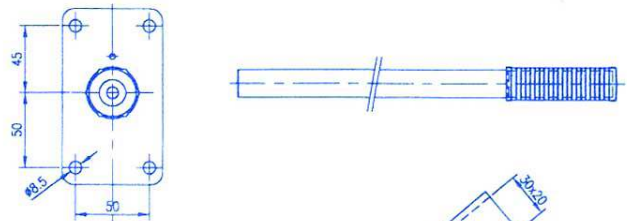
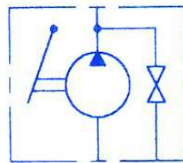
NOT SUITABLE FOR TANK.
WITH SHUT OFF VALVE.
PRESSURE RELIEF VALVE
INSTEAD OF SHUT OFF VALVE
AVAILABLE ON REQUEST.



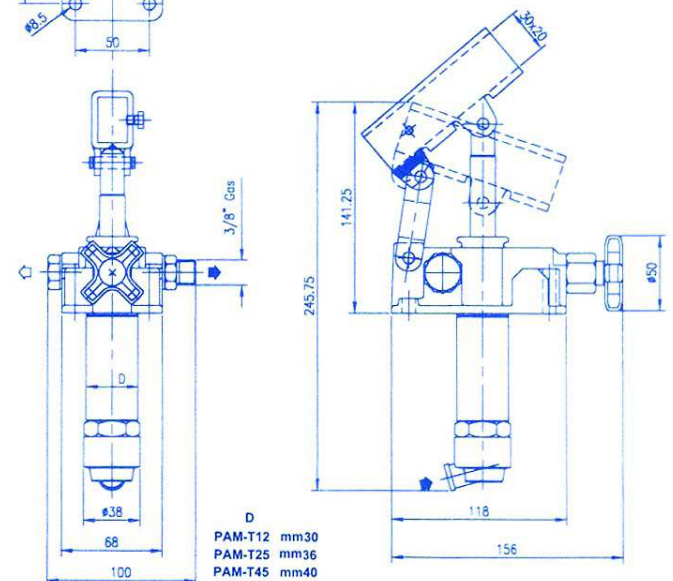
DOUBLE ACTING LEVER FOR SINGLE ACTING CYLINDERS

TYPE PAM.TV

SUITABLE FOR TANK. WITH SHUT OFF VALVE. PRESSURE RELIEF VALVE AND ROD BELLOWS AVAILABLE ON REQUEST.



TYPE	ORDER CODE	CAPACITY cm ³ /cycle	PRESSURE MAX bar	LIST PRICE
PAM-T12	PAM0141200	12	380	101.66
PAM-T25	PAM0142500	25	350	102.99
PAM-T45	PAM0144500	45	280	106.09
HANDLE	PAM 0290000			7.51



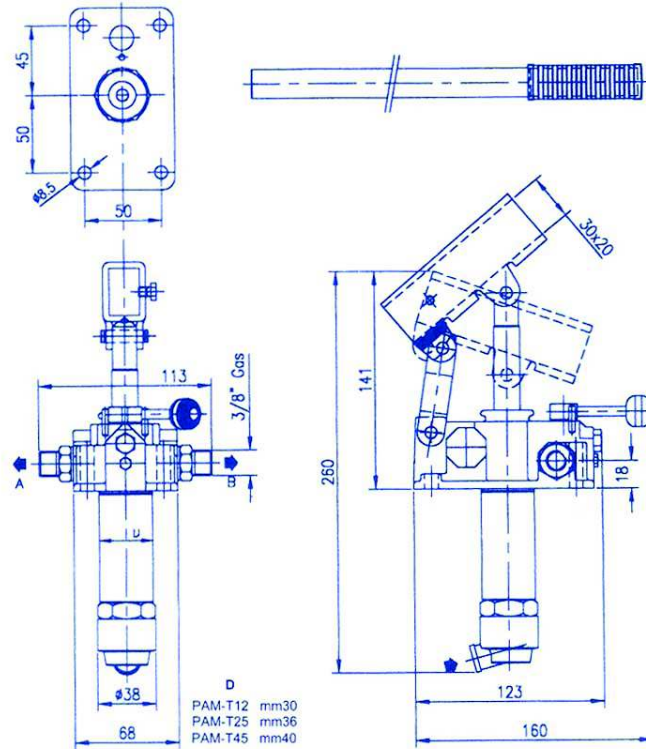
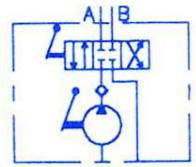
HAND PUMPS

DOUBLE ACTING LEVER FOR DOUBLE ACTING CYLINDER

TYPE	ORDER CODE	CAPACITY cm ³ /cycle	PRESSURE MAX bar	LIST PRICE
PAM-TD12	PAM0151200	12	380	113.16
PAM-TD25	PAM0152500	25	350	116.69
PAM-TD45	PAM0154500	45	280	120.23
HANDLE	PAM 0290000			7.51

TYPE PAM.TDV

SUITABLE FOR TANK. WITH 4 WAY VALVE. PRESSURE RELIEF VALVE AND ROD BELLOWS AVAILABLE ON REQUEST.



TANK FOR HAND PUMP

ORDER CODE	TANK CAPACITY	DIMENSION					LIST PRICE
		A	B	D	E	G	
PM00220001	1					120	24.31
PM00220002	2	90	120	150	100	180	27.40
PM00220003	3					247	30.94
PM00220005	5					200	34.47
PM00220007	7	90	195	175	175	269	37.57
PM002200010	10					376	41.10

