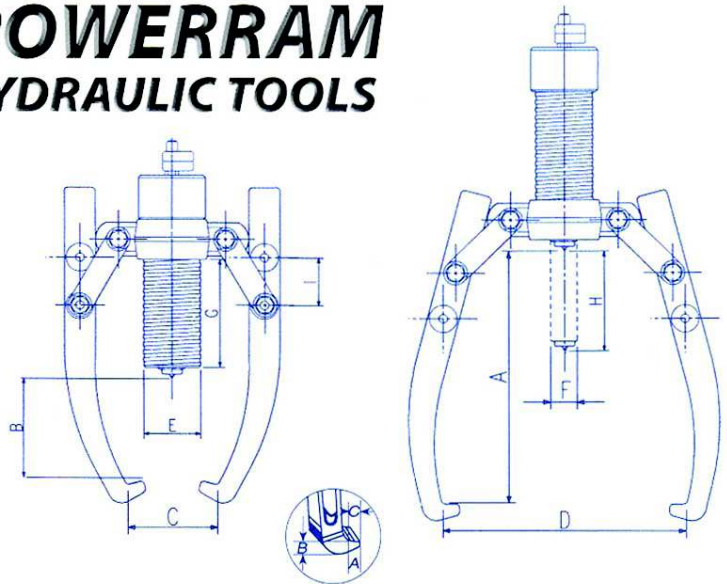


HYDRAULIC PULLER AND PUMP SET

Heat treated & chrome plated hydraulic cylinder rod provides linear force.
 Easy release valve.
 Spring loaded live centering nut for easy location (removable).+
 2/3 jaw combination puller cross head manganous-phosphate plated for rust resistance and durability.
 Heat treated forged alloy steel cross bolts & jaws with manganous-phosphate also plated for rust proof and long life.
 Patent Pending design for two stage stroke, the first stage being fast stroking for quick connection with object, with the second stage being high hydraulic output for pulling job.
 Includes hand pump and hose supplied in steel case.

POWERRAM HYDRAULIC TOOLS

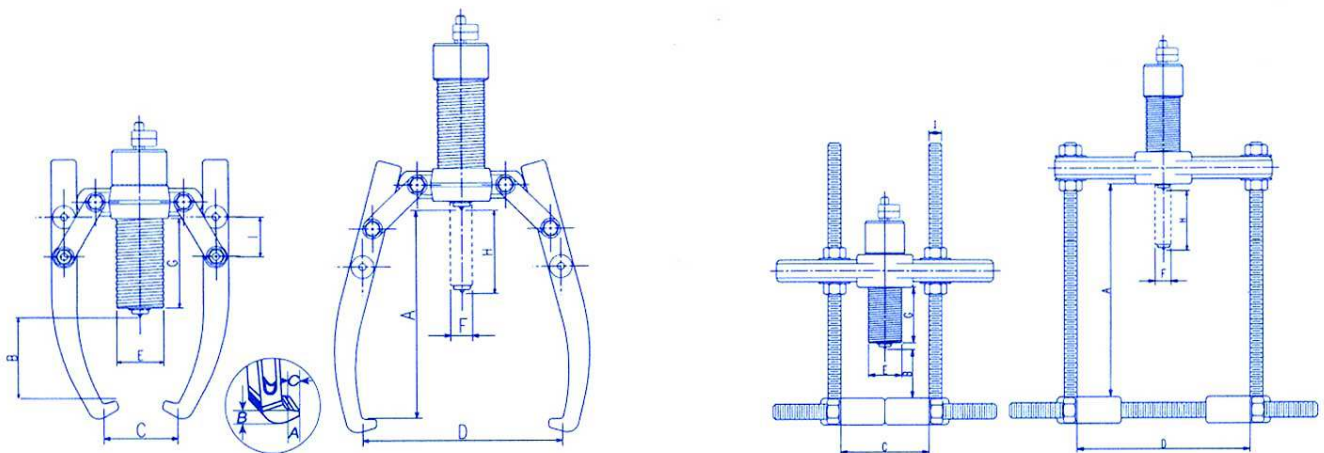


CAPACITY	ORDER CODE	REACH		SPREAD		STROKE H	PUMP TIP			JAW TIP				LIST PRICE
		A	B	C	D		E	F	G	A	B	C	I	
4 Ton	PR400	185	70	75	255	60	42	22	84	11	6	22	32	199.95
8 Ton	PR800	229	57	100	350	85	50	25	122	11	10	25	51	259.81
12 Ton	PR1200	269	103	90	375	85	60	28	118	14	10	29	51	297.40
20 Ton	PR2000	360	190	210	520	111	80	40	161	20	27	33	60	626.68
30 Ton	PR3000	360	190	225	550	111	98	50	155	20	27	38	60	910.18

PR2000 & PR3000 are available to use with Air / Hydraulic Pump (AP921) also.

CAPACITY	ORDER CODE	REACH		SPREAD		STROKE H	PUMP TIP			JAW TIP			LIST PRICE
		A	B	C	D		E	F	G	A	B	C	
4 Ton	PR420	185/250	70	75/55	255/110	60	42	22	84	11	6	22	271.82
8 Ton	PR820	229/270	57	100/95	350/220	85	50	25	122	11	10	25	418.44
12 Ton	PR1200	269/381	103	90/120	375/290	85	60	28	118	14	10	29	577.59

All pullers include High Pressure Hand Pump and Hose Assembly



OPTIONAL POWER SOURCES

FOOT PUMPS

AIR/HYDRAULIC PUMPS

