

# MOTORCYCLE LIFTS



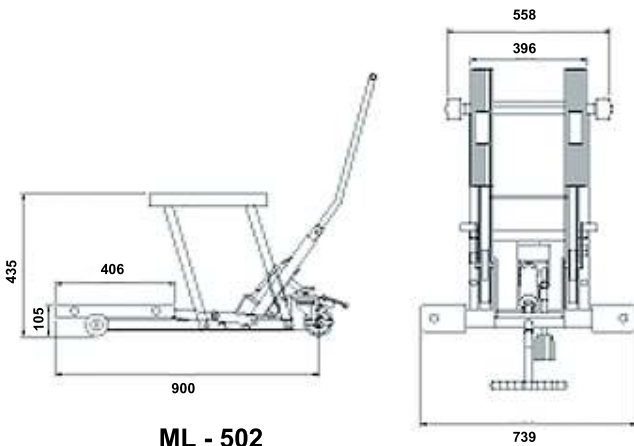
**ML - 502**

- ML - 502
- FOOT ACTIVATED PUMP AND RELEASE VALVE.
- WIDE LOW PROFILE FRAME.
- RUBBER GRIP PADS.
- REAR MOUNTED SWIVEL CASTORS
- RUBBER MOUNTING PADS (FOR PROTECTION OF BIKE FRAME).

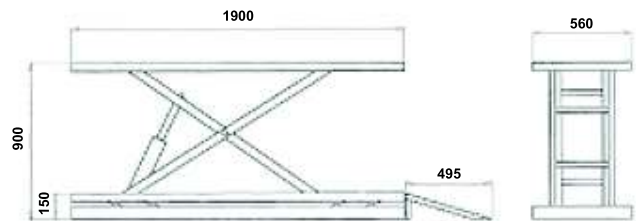


**ML - 510**

- ML-510
- REMOVEABLE DRIVE ON RAMP.
- MULTI POSITION WHEEL CLAMP FIXING.
- SECURITY BELTS.
- EQUIPPED WITH AIR HYDRAULIC PUMP.
- MANUFACTURED IN STEEL PLATE.



**ML - 502**



**ML - 510**

ITEM No.	CAPACITY	KG	LIST PRICE
ML - 502	500KG	40	£310.75
ML - 510	500KG	120	£1110.50