
2PE

Aluminium gear pumps

Technical Catalogue

E0.120.0219.02.00IM04



GEAR PUMPS

SALAMI gear pumps are available with displacements from 1.4 cm³/rev to 99 cm³/rev (*from 0.09 cu.in/rev to 6.03 cu.in/rev*).

Multiple pumps can always be relized combining stages taken from different or same series.

Several options of shafts, flanges and ports as for European, German and American standards are available for all the pumps.

SALAMI gear pumps offer:

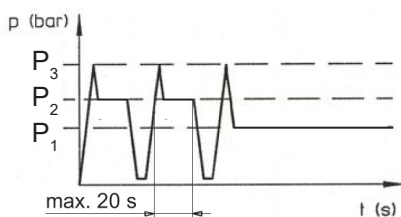
- High volumetric efficiency thanks to an innovative design and an accurate control of machining tolerances.
- Axial compensation achieved by the use of floating bushes that allow high volumetric efficiency throughout the working pressure range.
- DU bearings to ensure high pressure capability.
- 12 teeth integral gear and shaft.
- Aluminium body.
- Cast iron flange and cover.
- Double shaft seals.
- Nitrile seals as standard and Viton seals in high temperature applications.
- All pumps are hydraulically tested after assembly to ensure the highest standard performance.
- Gear pumps are ideal for mobile equipment including: snow plows, light duty equipment, farm vehicles, town trucks, cherry pickers, lift gates, utility vehicles, aerial devices, hoists, spreaders, fan drive.
- Also available Bidirectional rotation.

WORKING CONDITIONS

- Pump inlet pressure (absolute pressure)	0.8 to 1.5 bar <i>(11.6 to 21.7 psi)</i>
- Minimum operating fluid viscosity	12 mm ² / sec
- Max starting viscosity	800 mm ² / sec
- Suggested fluid viscosity range	17 - 65 mm ² / sec
- Fluid operating temperature range	-20 to 80 °C
- Fluid operating temperature range with FPM seals (Viton)	-15 to 110°C
- Fluid operating temperature range with HNBR seals*	-30 to 110°C
- Hydraulic fluid	Mineral oil according to DIN 51524. Other hydraulic fluids on request.

*Available on request.

DEFINITION OF PRESSURES



P₃ = Peak pressure

P₂ = Intermittent operating pressure (1/3 of working time)

P₁ = Continuous operating pressure

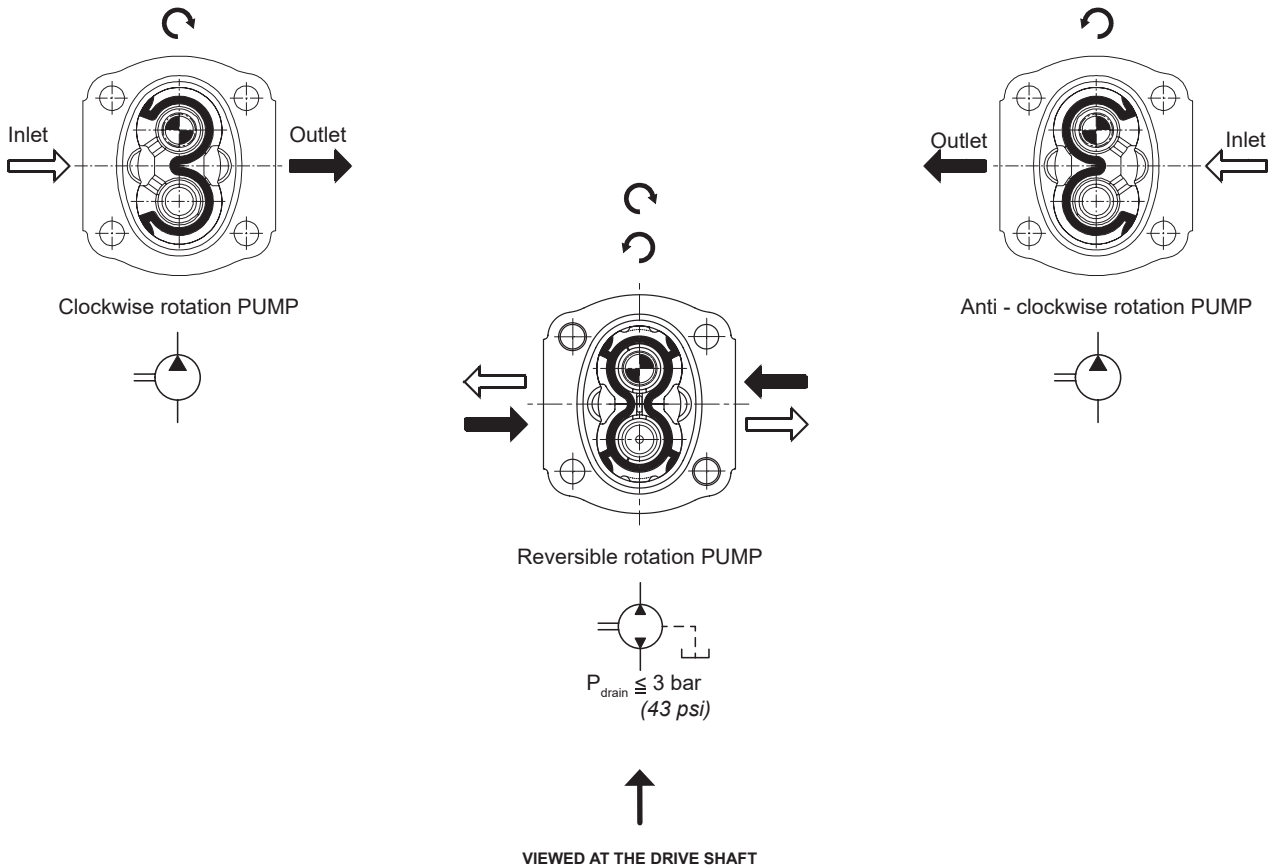
EO.100.0821.02.001M03



DRIVE SHAFTS

Radial and axial loads on the shafts must be avoided since they reduce the life of the unit. In order to avoid misalignment during the assembly with the primary engine, a connection with “Oldham” coupling (or coupling having convex toothed hub) is recommended.

ROTATION



HYDRAULIC PIPE LINE

To ensure favorable suction conditions it is important to keep pressure drop in suction pipe line to a minimum value (see TECHNICAL DATA). To calculate hydraulic pipe line size, the designer can use; as an approximate guide, the following fluid speed figures:

From 1 to 2 m/sec on suction pipe line
From 6 to 10 m/sec on pressure pipe line

From 3.28 to 6.36 ft/sec on suction pipe line
From 19.7 to 32.8 ft/sec on pressure pipe line

The lowest fluid speed values in pipe lines is recommended when the operating temperature range is high and/or for continuous duty.

The highest value is recommended when the temperature difference is low and/or for intermittent duty.

When tandem pumps are supplied by 2 different reservoirs with 2 different fluids it is necessary to specify “AS” version.

FILTRATION INDEX RECOMMENDED

Working pressure	>200 bar/2900 psi	<200 bar/2900 psi
Contamination class NAS 1638	9	10
Contamination class ISO 4406	19/18/15	20/19/16
Achieved with filter $\beta_x=75$	15 μm	25 μm

COMMON FORMULAS FOR PUMPS

$$C = \text{Input torque} = \frac{q \cdot \Delta p}{62.8 \cdot \eta_m} \text{ (Nm)}$$

$$P = \text{Input power} = \frac{q \cdot n \cdot \Delta p \cdot 10^{-3}}{600 \eta_m} \text{ (kW)}$$

$$Q = \text{Outlet flow} = \frac{q \cdot n \cdot \eta_v}{1000} \text{ (l/min)}$$

LEGENDA

Δp = Working pressure (bar)

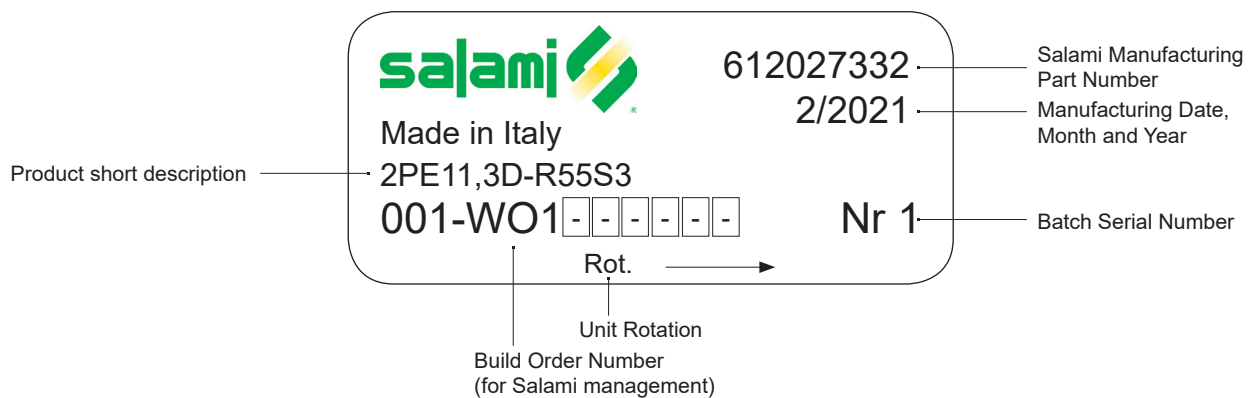
q = Displacement (cm^3/rev)

n = Speed (min^{-1})

η_m = Mechanical eff. (0.92)

η_v = Volumetric eff. (0.95)

IDENTIFICATION LABEL



EO.100.0821.02.001M03



TECHNICAL DATA

GROUP 1.5 - E SERIES	Displacement		Continuous pressure P ¹		Intermittent pressure P ²		Peak pressure P ³		Max. speed	Min. speed
	cm ³ /rev	cu.in/rev	bar	psi	bar	psi	bar	psi		
1.5PE - 1.4	1.4	0.09	250	3625	270	3915	290	4205	5000	700
1.5PE - 2.1	2.1	0.13	250	3625	270	3915	290	4205	5000	700
1.5PE - 2.8	2.8	0.17	250	3625	270	3915	290	4205	4500	700
1.5PE - 3.5	3.5	0.21	250	3625	270	3915	290	4205	4500	700
1.5PE - 4.1	4.1	0.25	250	3625	270	3915	290	4205	4000	700
1.5PE - 5.2	5.2	0.32	230	3335	250	3625	270	3915	4000	700
1.5PE - 6.2	6.2	0.38	230	3335	250	3625	270	3915	3600	600
1.5PE - 7.6	7.6	0.46	200	2900	220	3190	250	3625	3300	600
1.5PE - 9.3	9.3	0.57	180	2610	200	2900	240	3480	3000	600
1.5PE - 11	11	0.67	170	2465	190	2755	220	3190	3000	600

GROUP 2 - E SERIES	cm ³ /rev	cu.in/rev	bar	psi	bar	psi	bar	psi	rpm	
2PE - 3.2*	3.2	0.19	250	3625	280	4060	300	4350	4000	600
2PE - 3.9*	3.9	0.24	250	3625	280	4060	300	4350	4000	600
2PE - 4.5	4.6	0.27	250	3625	280	4060	300	4350	4000	600
2PE - 6.5	6.5	0.4	250	3625	280	4060	300	4350	4000	600
2PE - 8.3	8.2	0.5	250	3625	280	4060	300	4350	3500	500
2PE - 10.5	10.6	0.65	250	3625	280	4060	300	4350	3500	500
2PE - 11.3	11.5	0.68	250	3625	280	4060	300	4350	3500	500
2PE - 12.5	12.7	0.77	250	3625	280	4060	300	4350	3500	500
2PE - 13.8	13.8	0.84	250	3625	280	4060	300	4350	3500	500
2PE - 16	16.6	1.01	250	3625	280	4060	300	4350	3000	400
2PE - 19	19.4	1.15	220	3190	240	3480	260	3750	3000	400
2PE - 22.5	22.9	1.37	200	2900	220	3190	240	3480	2750	400
2PE - 26	26.6	1.62	180	2610	200	2900	220	3190	2500	400

*Available only as rear pump

GROUP 2.5 - B SERIES	cm ³ /rev	cu.in/rev	bar	psi	bar	psi	bar	psi	rpm	
2.5PB - 5.5*	5.97	0.36	250	3625	280	4060	300	4350	3000	600
2.5PB - 8.3*	8.29	0.50	250	3625	280	4060	300	4350	3000	600
2.5PB - 11.5*	11.76	0.72	250	3625	280	4060	300	4350	3000	600
2.5PB - 13.8*	14.07	0.86	250	3625	280	4060	300	4350	3000	600
2.5PB - 16	16	0.97	250	3625	280	4060	300	4350	3000	600
2.5PB - 19	19.3	1.17	250	3625	280	4060	300	4350	3000	600
2.5PB - 22	22.2	1.35	250	3625	280	4060	300	4350	3000	500
2.5PB - 25	25.2	1.53	250	3625	280	4060	300	4350	3000	500
2.5PB - 28	27.6	1.68	250	3625	280	4060	300	4350	3000	500
2.5PB - 32	32.4	1.97	230	3335	250	3625	260	3750	3000	500
2.5PB - 38	38.1	2.32	200	2900	220	3190	240	3480	2750	400
2.5PB - 44	44.2	2.69	170	2465	190	2755	210	3040	2500	400

*Available only as rear pump. Displacements 11.5-13.8 are available as single pump only with drive shaft “55”.



TECHNICAL DATA

	Displacement		Continuous pressure P ¹		Intermittent pressure P ²		Peak pressure P ³		Max. speed	Min. speed
	cm ³ /rev	cu.in/rev	bar	psi	bar	psi	bar	psi		
GROUP 3 - E SERIES									rpm	
3PE - 21	20.6	1.26	250	3625	280	4060	300	4350	3000	600
3PE - 27	27	1.65	250	3625	280	4060	300	4350	3000	600
3PE - 33	33.5	2.04	250	3625	280	4060	300	4350	3000	600
3PE - 38	38.7	2.36	250	3625	280	4060	300	4350	2750	500
3PE - 46	46.9	2.86	250	3625	270	3915	280	4060	2750	500
3PE - 55	54.1	3.3	220	3190	240	3480	250	3625	2500	400
3PE - 65	63.1	3.85	200	2900	220	3190	240	3480	2500	400
3PE - 75	73.4	4.48	180	2610	200	2900	220	3190	2500	400

GROUP 3.5 - C SERIES	cm ³ /rev	cu.in/rev	bar	psi	bar	psi	bar	psi	rpm	
3.5PC - 55	54.8	3.34	250	3625	280	4060	300	4350	2750	400
3.5PC - 64	63.2	3.85	250	3625	280	4060	300	4350	2750	350
3.5PC - 75	74.7	4.55	230	3335	250	3625	280	4060	2500	300
3.5PC - 87	88	5.36	210	3040	230	3330	260	3750	2250	300
3.5PC - 98*	99	6.03	200	2900	220	3190	250	3625	2000	300

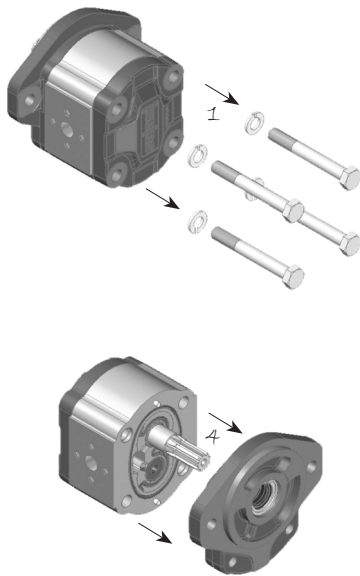
*Displacement 98 are special release, please contact sales department.

⚠ *Max Speed must be lowered by 10% for system working continuously at p¹ pressure.
Max pressure must be lowered by 10% for bi-directional pump.*

ROTATION CHANGING INSTRUCTIONS FOR UNITS

Keep the working surface cleaned as well as the exterior of the pump before starting and avoid inner contamination of the pump. The pump shown below is a clockwise rotating pump. To achieve anti-clockwise rotation, please read the following instructions carefully.

CLOCKWISE ROTATION

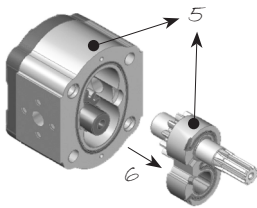


1 - Loosen and fully unscrew the bolts.

2 - Lay the pump on the working area in order to have the mounting flange turned upside.

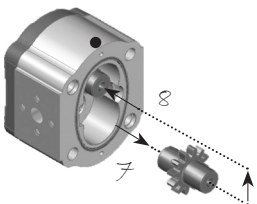
3 - Coat the shaft end with grease to avoid damaging the shaft seal.

4 - Remove the flange and lay it on the working area; verify that the seal is correctly located in the body seat.



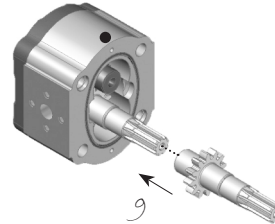
5 - Mark the position of the bushing and eventually of the thrust plate, as well, with reference to the body.

6 - Remove the bushing, thrust plate and the driving gear taking care to avoid driven gear axial shifts.

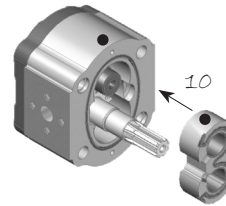


7 - Draw out the driven gear from its housing, taking care to avoid rear cover axial shifts.

8 - Re-locate the driven gear in the position previously occupied by the driving gear.



9 - Re-locate the driving gear in the position previously occupied by the driven gear.



10 - Replace the bushing and thrust plate taking care that:

- marks are located as on the picture
- surface containing the seal is visible
- seal and its protection are correctly located.

11 - Clean the body and mounting flange facing surfaces.

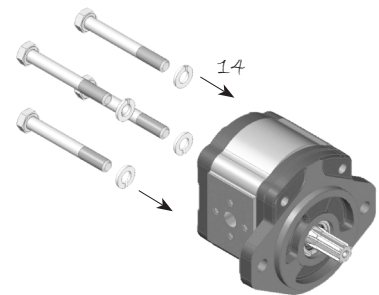
12 - Verify that the two plugs are located in the body.

13 - Refit the mounting flange, turned 180° from its original position.

14 - Replace the bolts and tighten clockwise evenly to an appropriate torque.

15 - Check that the shaft rotates freely.

16 - Mark on the flange the new direction of rotation.



ANTI - CLOCKWISE ROTATION



INDEX

Shafts And Flanges Combination	33
Assembling Dimensions And Working Conditions	34
Flanged And Threaded Ports.....	35
Drive Shafts	36
Mounting Flanges	38
Outrigger Bearing	41
Rear Covers	45
High-Low Multiple Pump.....	47
Pressure Compensated Priority Flow Valve	48
Load Sensing Priority Valve.....	49
Electric Unloading Valve	50
Multiple Gear Pumps Assembling Dimensions.....	51
2PE Combination With Pump 1.5PE	52
Performance Curves.....	53
How To Order Single Pumps	60
How To Order Multiple Pumps.....	61

Final revised edition - February 2019

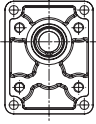
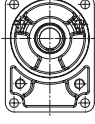

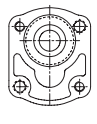
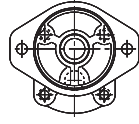

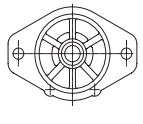
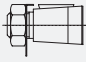
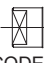


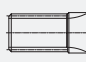
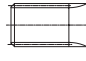

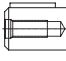
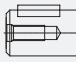
The data in this catalogue refers to the standard product.

The policy of Salami S.p.A. consists of a continuous improvement of its products. It reserves the right to change the specifications of the different products whenever necessary and without giving prior information.

If any doubts, please contact our sales department.



SHAFTS AND FLANGES COMBINATION

2PE  CODE P1 European Standard	 CODE B1 German Standard	 CODE B2-B3 German Standard	 CODE B4-B5 German Standard	 CODE S2 SAE A 2 Bolts	 CODE C1 4 Bolts Iveco	 CODE S3 SAE B 2 Bolts
 CODE 28 Tapered 1:8	28P1					
 CODE 03 Tang drive for electric motors			03B2 03B3			
 CODE 04 Tang drive			04B4 04B5			
 CODE 62 DIN 5482 splined 9 T	62P1	62B1	62B4 62B5		62C1	
 CODE 52 SAE A splined 9T				52S2		
 CODE 54 SAE A splined 11T				54S2		
 CODE 55 SAE B splined 13T						55S3
 CODE 85 SAE A parallel shaft Ø19.05				85S2		
 CODE 82 SAE A parallel shaft Ø15.87	82P1			82S2		

Note: other versions available, see shafts and flanges information.



Displacements up to 1.58 cu.in./rev
Pressure up to 4350 psi



GEAR PUMPS

Displacements up to 25.8 cm³/rev
Pressure up to 300 bar

ASSEMBLING DIMENSIONS AND WORKING CONDITIONS

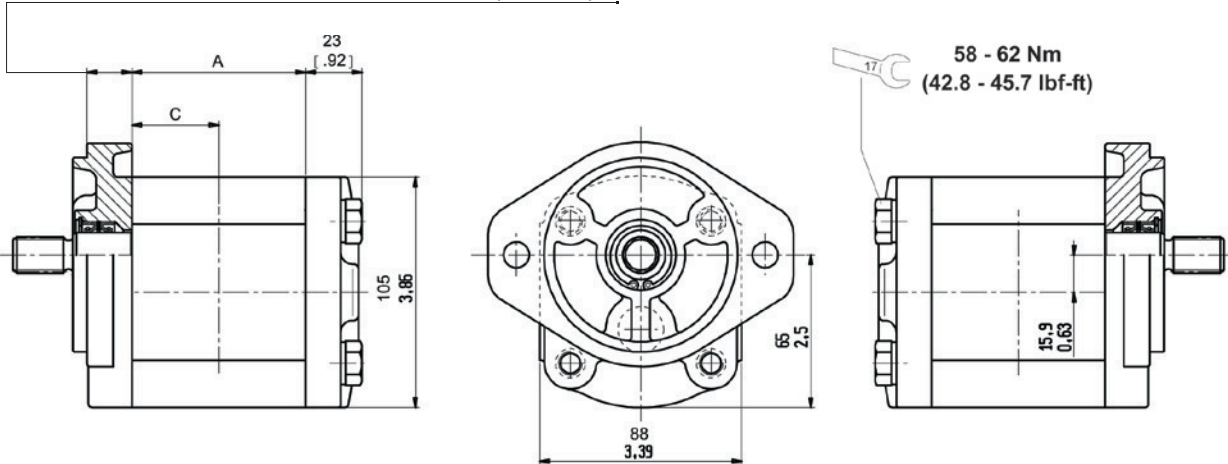
Type		3.2*	3.9*	4.5	6.5	8.3	10.5	11.3	12.5	13.8	16	19	22.5	26
Displacement	cm ³ /rev	3.2	3.9	4.6	6.5	8.2	10.6	11.5	12.7	13.8	16.6	19.4	22.9	25.8
	cu.in./rev	0.19	0.24	0.27	0.40	0.50	0.65	0.68	0.77	0.84	1.01	1.15	1.37	1.58
Dimension A	mm	47.1			49.95	52.8	56.3	59.7		63.5	67.5	75.6	81	86.8
	in	1.83			1.97	2.07	2.22	2.35		2.5	2.65	2.97	3.19	3.42
Dimension C	mm	23.55			25	26.4	28.15	29.75		31.75	33.75	37.80	40.5	43.4
	in	0.93			0.98	1.04	1.11	1.17		1.25	1.33	1.49	1.59	1.71
Continuous pressure	P ¹	bar	250	250	250	250	250	250	250	250	250	220	200	180
		psi	3625	3625	3625	3625	3625	3625	3625	3625	3625	3190	2900	2610
Intermittent pressure	P ²	bar	280	280	280	280	280	280	280	280	280	240	220	200
		psi	4060	4060	4060	4060	4060	4060	4060	4060	4060	3480	3190	2900
Peak pressure	P ³	bar	300	300	300	300	300	300	300	300	300	260	240	220
		psi	4350	4350	4350	4350	4350	4350	4350	4350	4350	3750	3480	3190
Max speed	rpm	4000	4000	4000	4000	3500	3500	3500	3500	3500	3000	3000	2750	2500
Min speed	rpm	600	600	600	600	500	500	500	500	500	400	400	400	400
Weight	kg	3.00	3.05	3.10	3.50	3.60	3.70	3.75	3.78	3.86	4.00	4.18	4.29	4.54
	lbs	6.61	6.72	6.83	7.72	7.94	8.16	8.27	8.33	8.51	8.82	9.22	9.46	10.1

*Available only as rear pump

For flanges code:

P1-B1-S2-S6, this dimension is 19 mm (0.75 in.)

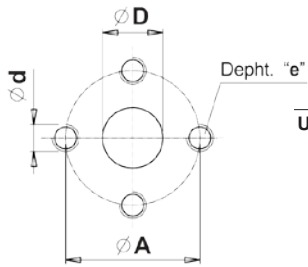
B2-B3-B4-B5, this dimension is 16.5 mm (0.65 in.)



E0.120.0219.02.00IM04



FLANGED AND THREADED PORTS



code P

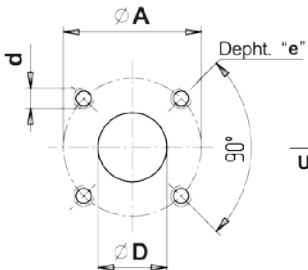
Flanged ports
european standard



TYPE	INLET				OUTLET			
	Ø D	Ø A	d	e	Ø D	Ø A	d	e
From 3.2 to 8.3	13 (0.51")	30 (1.19")	M6	13 (0.51")	13 (0.51")	30 (1.18")	M6	13 (0.51")
From 11.3 to 22.5	20 (0.79")	40 (1.57")	M8					
26	22 (0.87")							



BI-DIRECTIONAL PUMPS Special version available on request.



code B

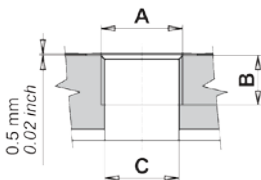
Flanged ports
german standard



TYPE	INLET				OUTLET			
	Ø D	Ø A	d	e	Ø D	Ø A	d	e
From 3.2 to 22.5	20 (0.78")	40 (1.56")	M6	13 (0.51")	15 (0.59")	35 (1.38")	M6	13 (0.51")
26	22 (0.87")							



BI-DIRECTIONAL PUMPS Special version available on request.



code G

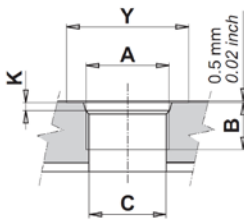
Threaded ports
GAS (BSPP)



TYPE	INLET			OUTLET		
	A	B	ØC	A	B	ØC
From 3.2 to 26	G3/4	16 (0.62")	20 (0.78")	G1/2	14 (0.54")	13 (0.51")



BI-DIRECTIONAL PUMPS Special version available on request.



code R

Threaded ports
SAE (ODT)



TYPE	INLET					OUTLET				
	A	B	ØC	Y	K	A	B	ØC	Y	K
From 3.2 to 26	1-1/16-12 UN (SAE 12)	16 (0.62")	20 (0.78")	41 (1.61")	3.3 (0.12")	7/8-14 UNF (SAE 10)	14 (0.54")	13 (0.78")	34 (1.32")	2.5 (0.10")

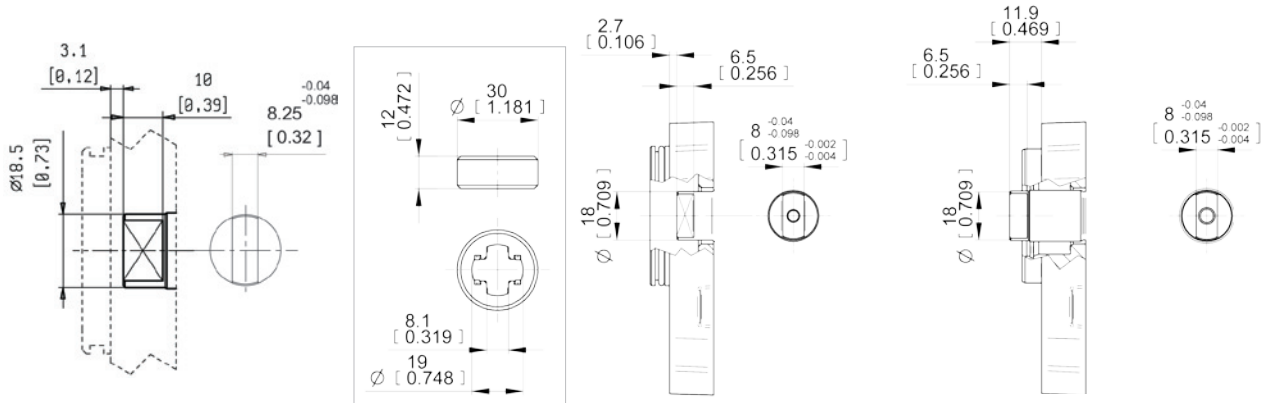


BI-DIRECTIONAL PUMPS Special version available on request.

EO.120.0219.02.001M04



DRIVE SHAFTS



code 02 Max torque 70 (620 lbf in)

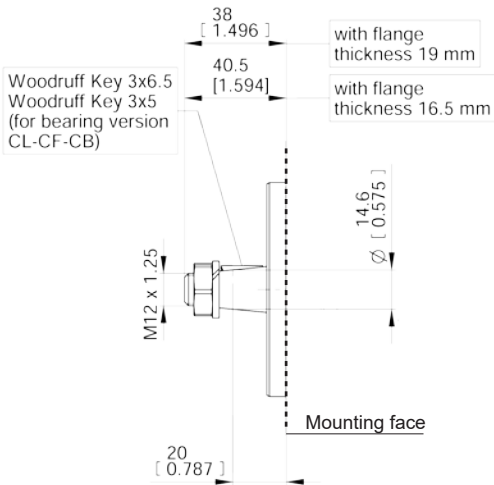
Tang drive for engine driven
For flange K1 without shaft seal

code 03 Max torque 70 Nm (620 lbf in)

Tang drive for electric motors
Without shaft seal

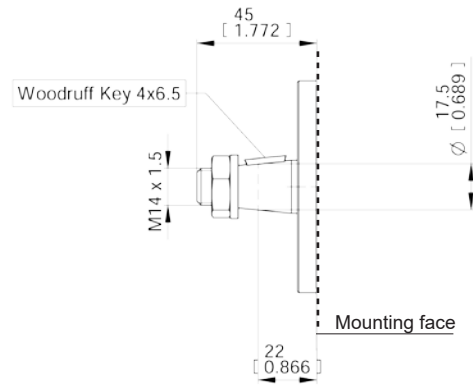
code 04 Max torque 70 Nm (620 lbf in)

Tang drive



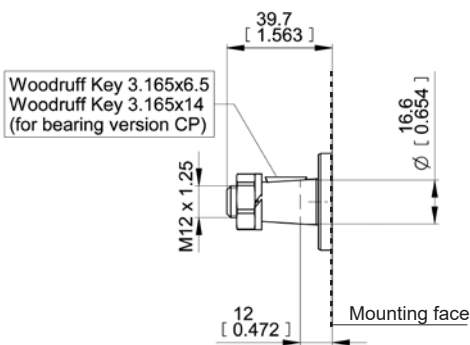
code 25 Max torque 130 Nm (1151 lbf in)

Tapered 1:5



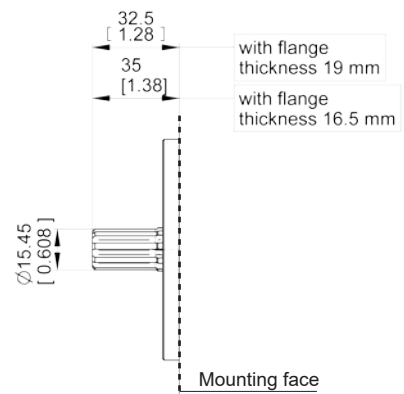
code 26 Max torque 100 Nm (885 lbf in)

Tapered 1:5 (only for CB)



code 28 Max torque 130 Nm (1151 lbf in)

Tapered 1:8

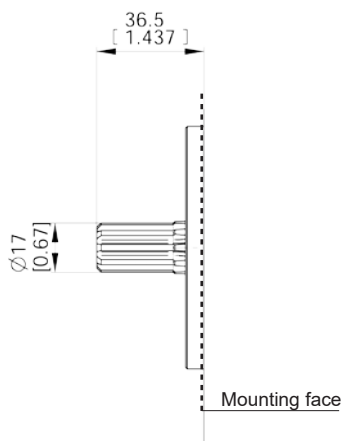


code 52 Max torque 100 Nm (885 lbf in)

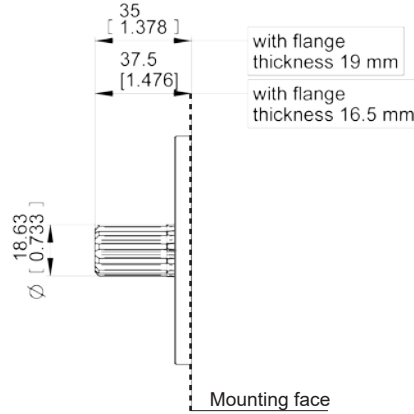
SAE A 9T-16/32DP Ansi B92 1a 1976

E0.120.0219.02.00IM04

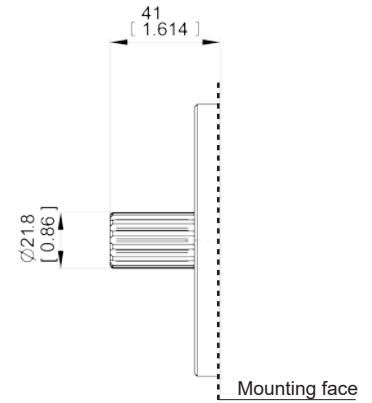




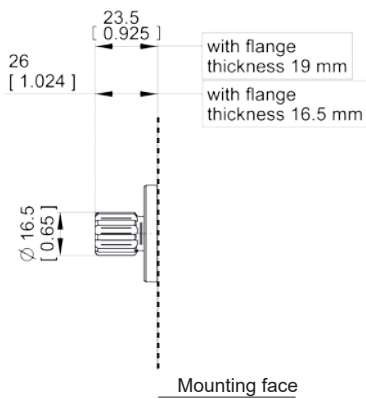
code 53 Max torque 125 Nm (1106 lbt in)
SAE A 10T-16/32DP Ansi B92 1a 1976



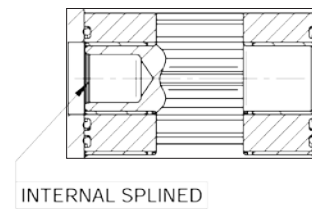
code 54 Max torque 150 Nm (1327 lbt in)
SAE A 11T-16/32DP Ansi B92 1a 1976



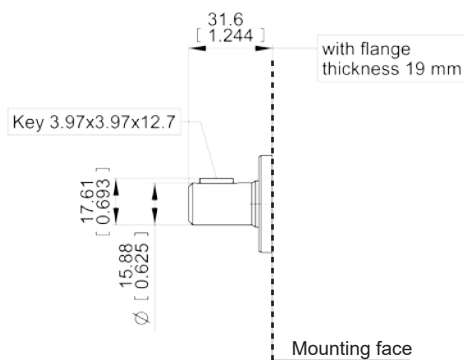
code 55 Max torque 100 Nm (885 lbt in)
SAE B 13T-16/32DP Ansi B92 1a 1976



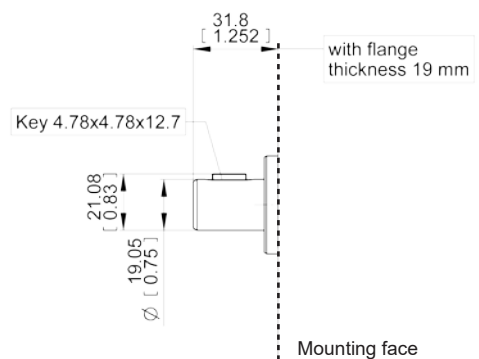
code 62 Max torque 120 Nm (1062 lbt in)
9 teeth DIN 5482 splined



code 60 Max torque 100 Nm (885 lbt in)
DIN 5480 internal splined (only for rear pumps)



code 82 Max torque 70 Nm (620 lbt in)
5/8" SAE A parallel

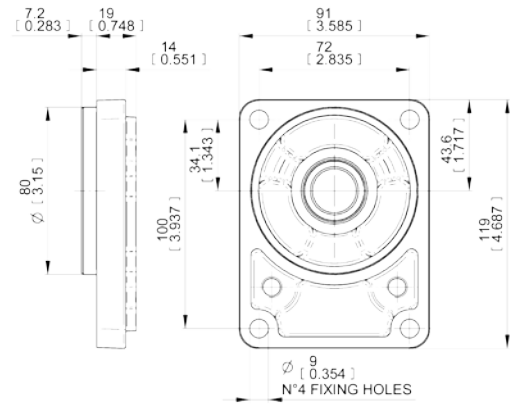
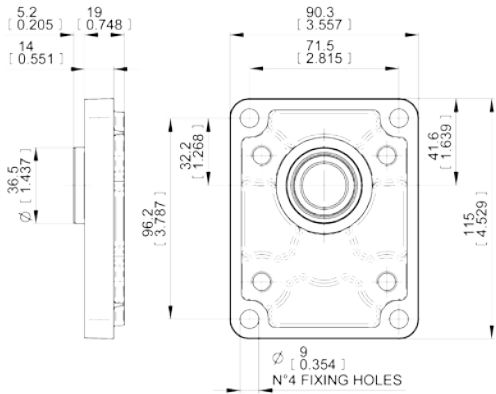


code 85 Max torque 130 Nm (1151 lbt in)
3/4" SAE A parallel

EO.120.0219.02.001M04



MOUNTING FLANGES

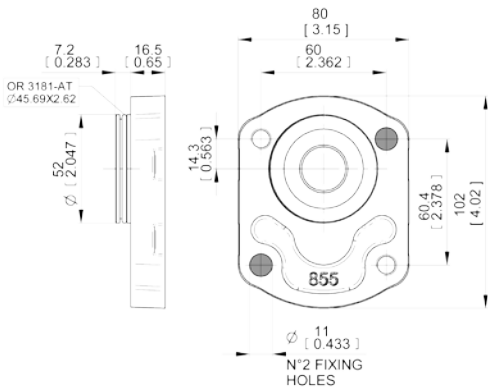


P1 European standard

With shaft code 28-62-82

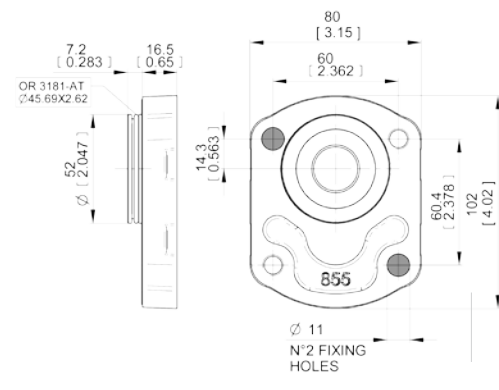
B1 German standard

With shaft code 25-62



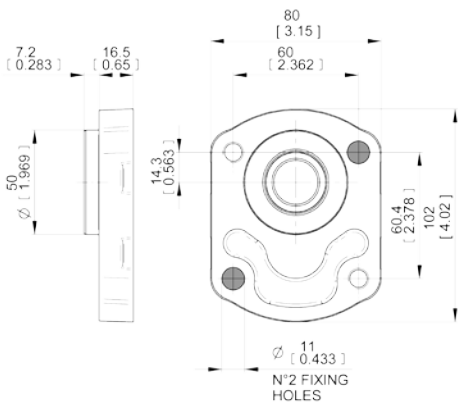
B2 German standard

With shaft code 03



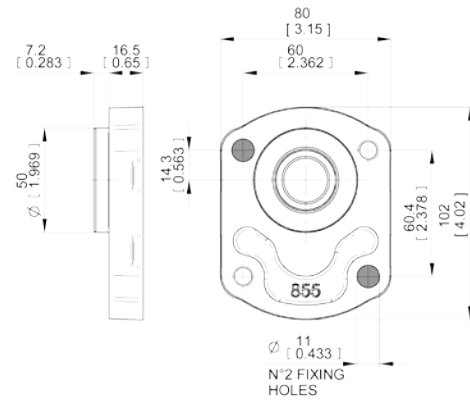
B3 German standard

With shaft code 03



B4 German standard

With shaft code 25-62-04

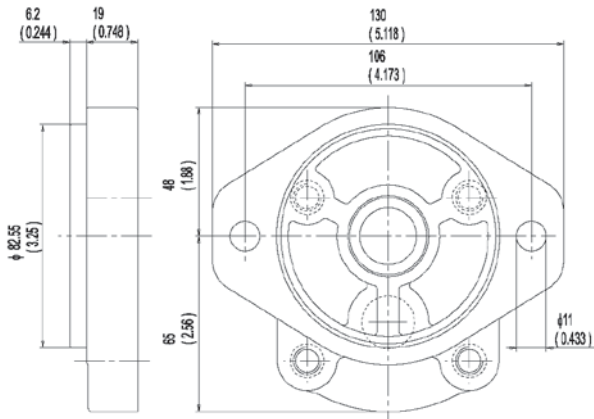


B5 German standard

With shaft code 25-62-04

E0.120.0219.02.00IM04

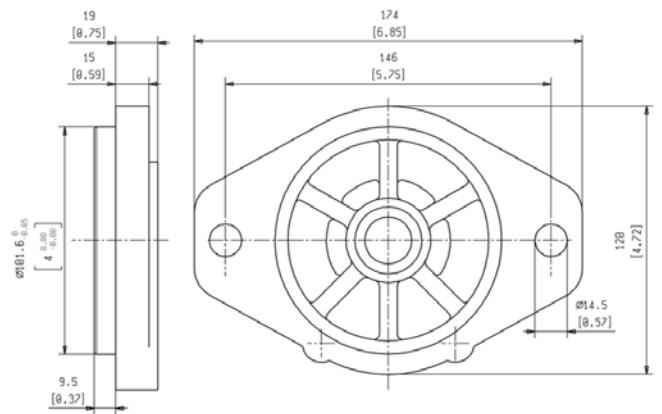




S2

SAE A 2 bolts

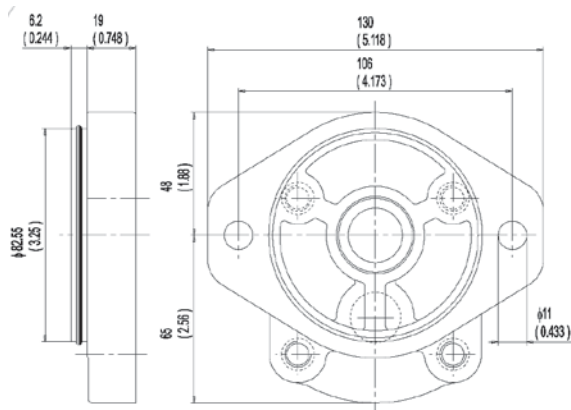
With shaft code 52-53-54-82-85



S3

SAE B 2 bolts

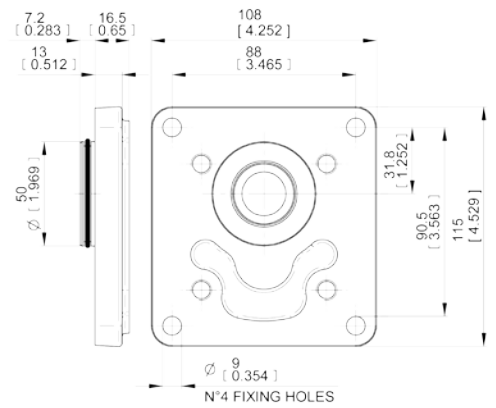
With shaft code 55



S6

SAE A 2 bolts
(with O-ring on the centering collar)

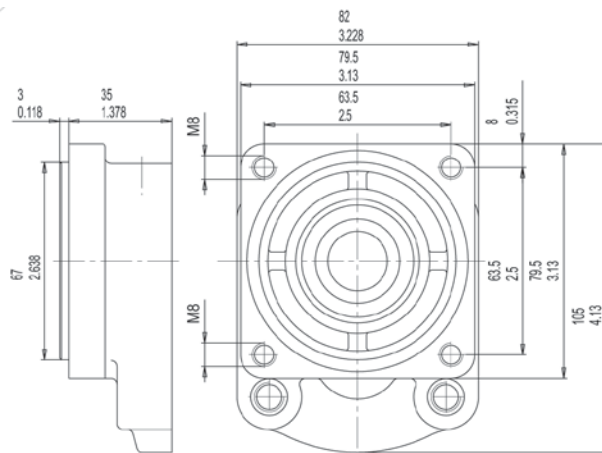
With shaft code 52-54-82-85



C1

4 bolts for Iveco engines

With shaft code 62

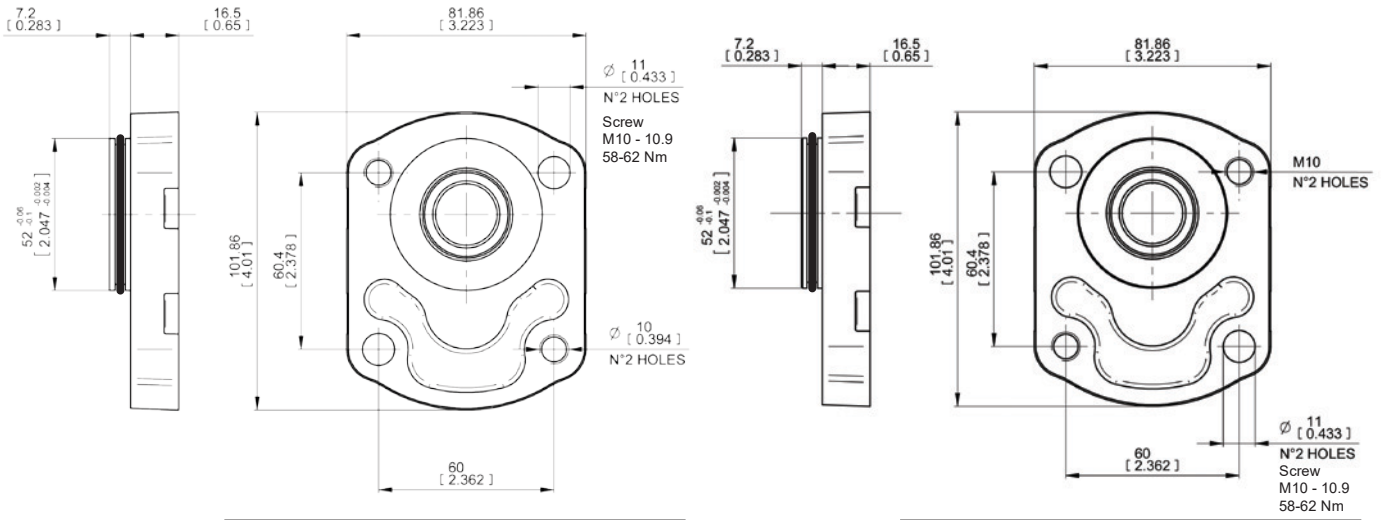


K1

4 bolts for Perkins Motor

With shaft code 02

EO.120.0219.02.001M04



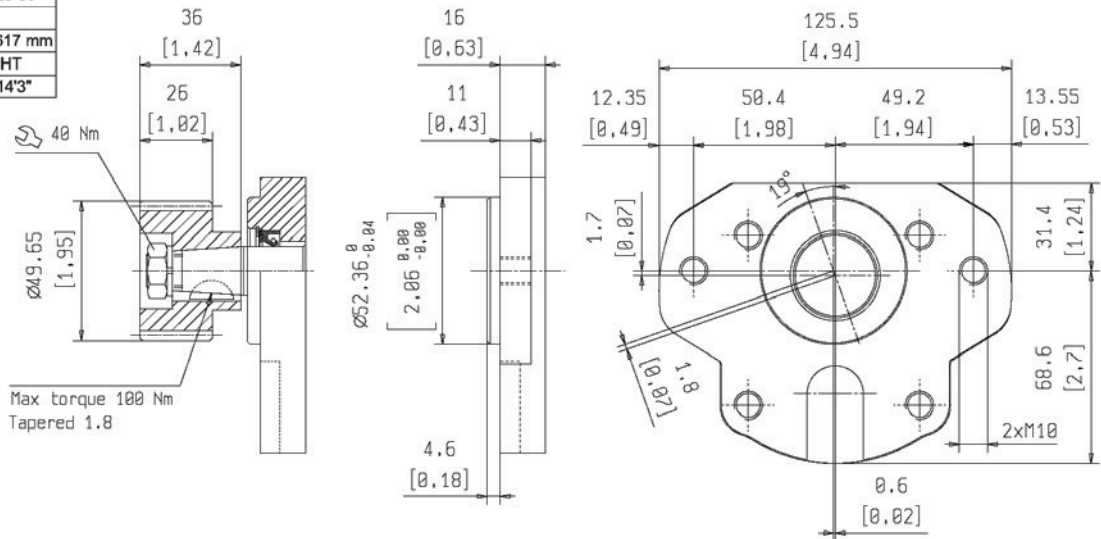
K3 German standard with shaft seal

With shaft code 52

K4 German standard with shaft seal

With shaft code 52

PINION GEAR CODE 3122 025 30	
NUMBER OF TEETH	20
BASE CIRCLE DIAMETER	42.617 mm
HAND OF HELIX	RIGHT
HELIX ANGLE	13°14'3"



MF Perkins Motor

With shaft code 28

E0.120.0219.02.00IM04



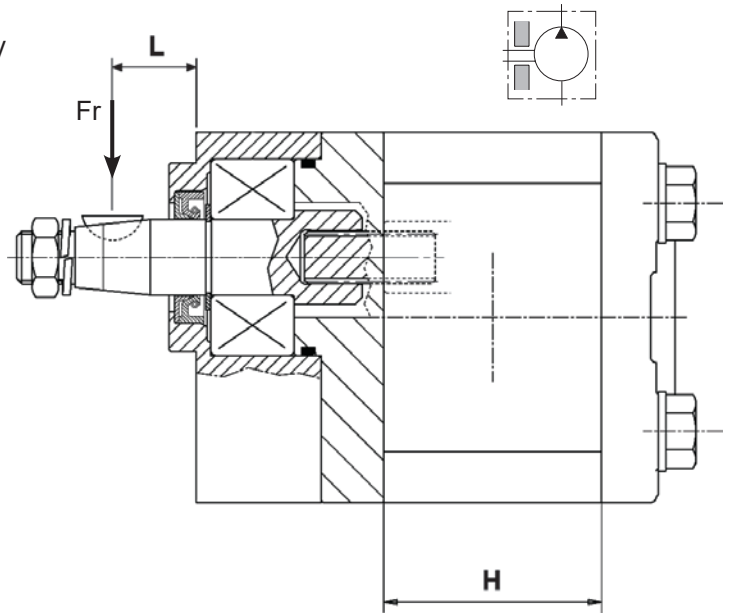
OUTRIGGER BEARING

The following diagrams show radial load capability of the bearing.

Calculation according to ISO 281 at 10 cSt.

TYPE	H
4.5	47.1 (1.83")
6.5	49.95 (1.97")
8.3	52.8 (2.08")
10.5	56.3 (2.22")
11.3-12.5	59.7 (2.35")
13.8	63.5 (2.5")
16	67.5 (2.66")
19	75.6 (2.97")
22.5	81 (3.19")
26	86.6 (3.42")

L=Distance between mounting flange and radial force point of application.



Example:

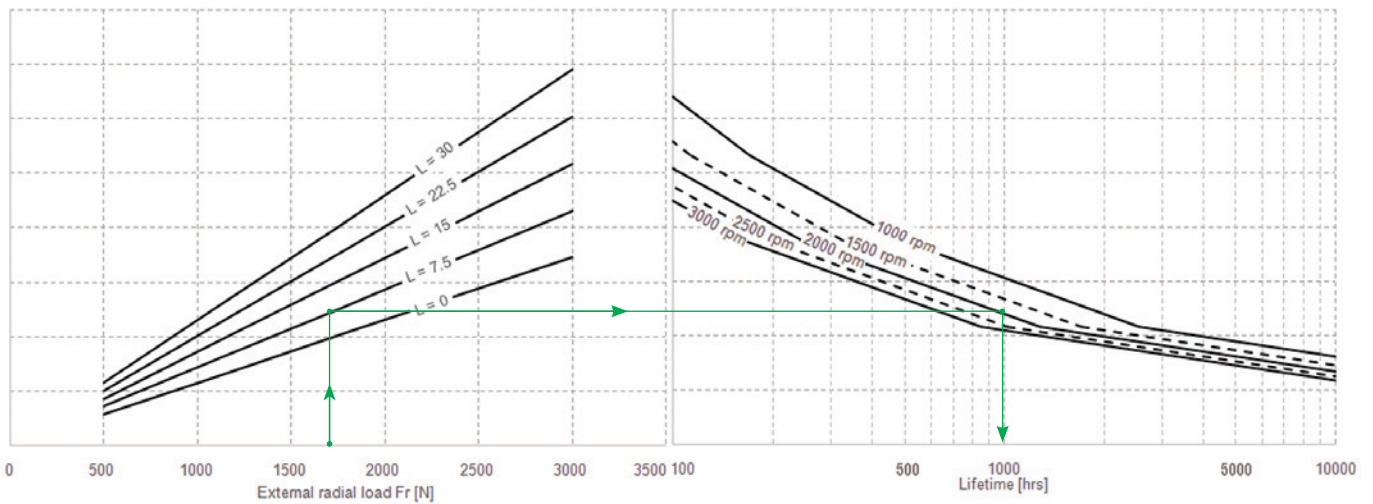
Fr = 1700 N

L = 7.5

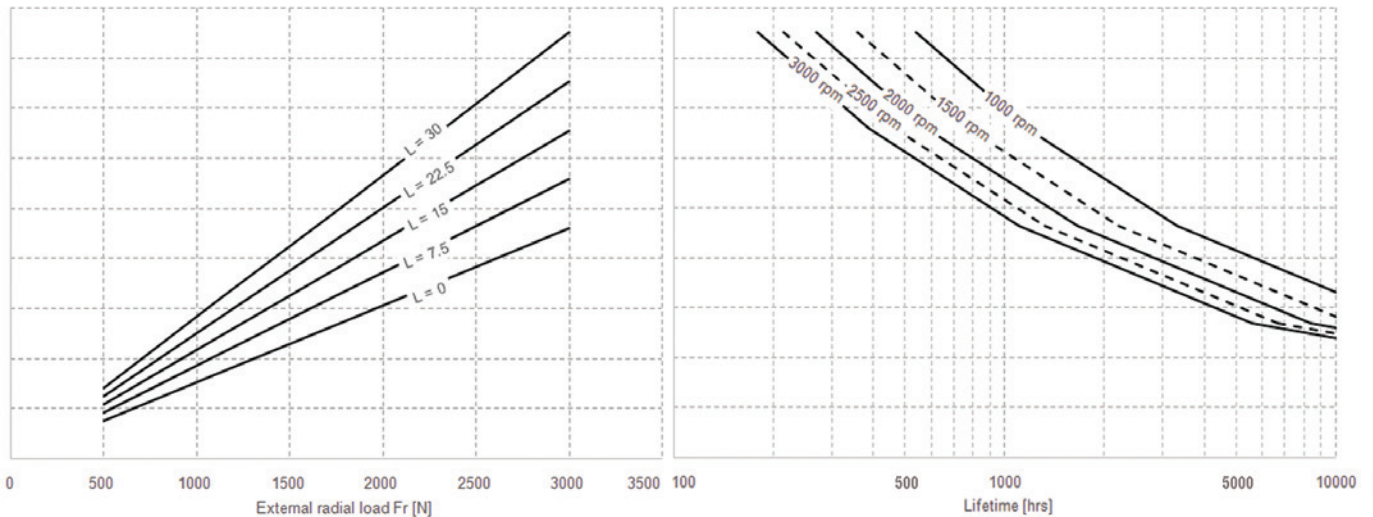
Speed = 2000 rpm

→ Expected life: 1000 hrs

For Code CP-CB-CL-CS



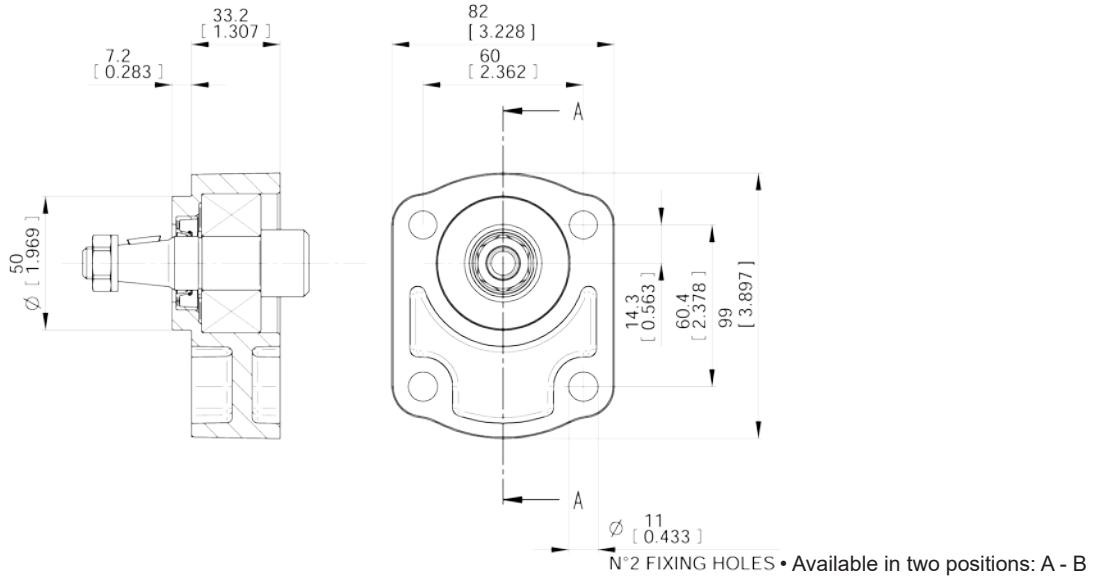
For Code CF



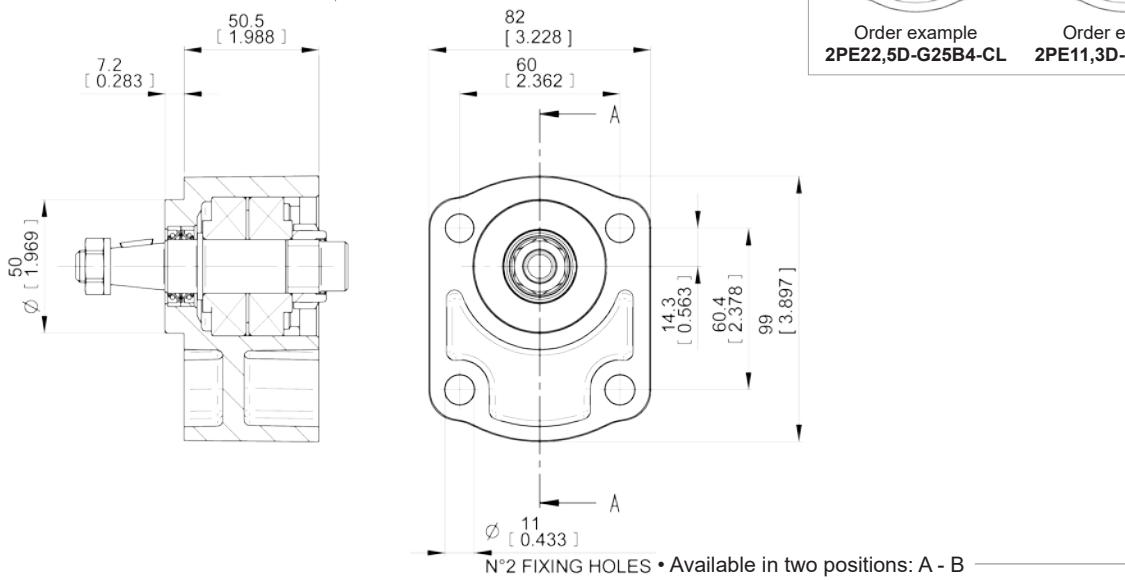
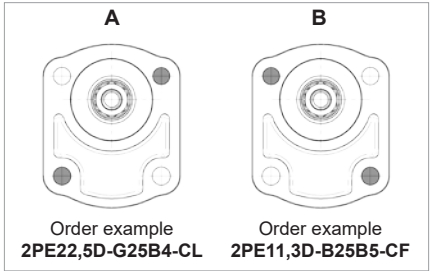
EO.120.0219.02.001M04



ALUMINIUM MOUNTING FLANGES
WITH BEARING



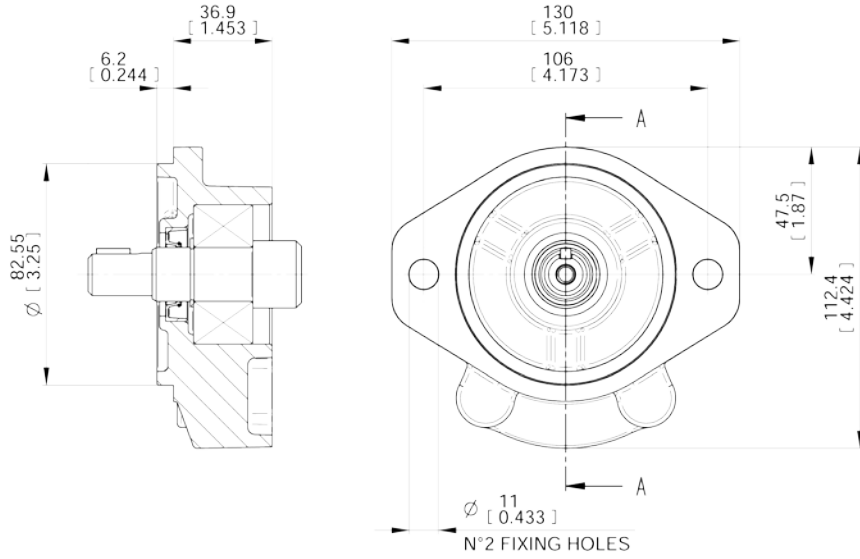
CL	For engine endothermic motors
With shaft code 25, 26 (see page 36)	



CF	For endothermic motors
With shaft code 25-26 (see page 36)	

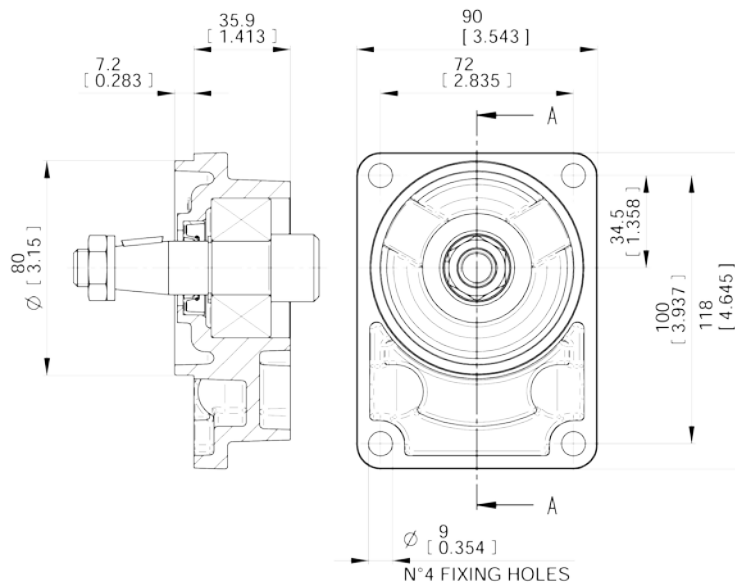
E0.120.0219.02.00IM04





CS SAE A

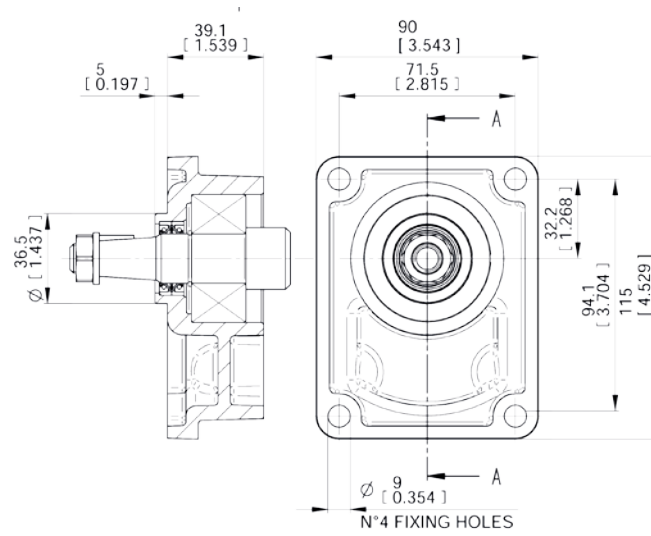
With shaft code 52-54-82-85 (see page 37)



CB German standard

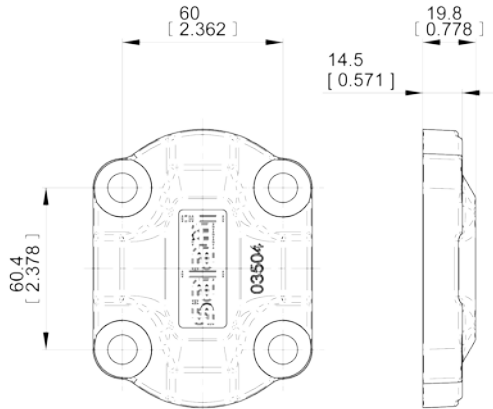
With shaft code 25-26 (see page 37)

EO.120.0219.02.001M04

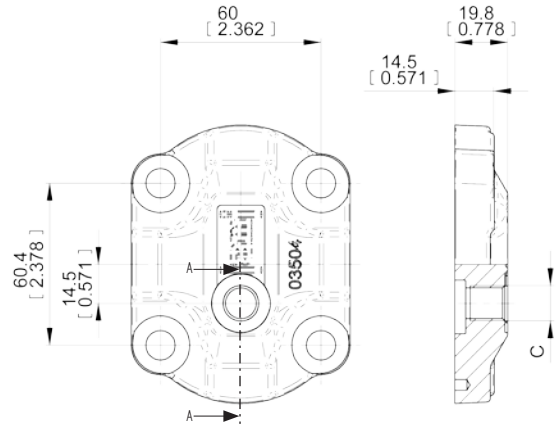


CP	European standard
With shaft code 28 (see page 36)	

REAR COVERS

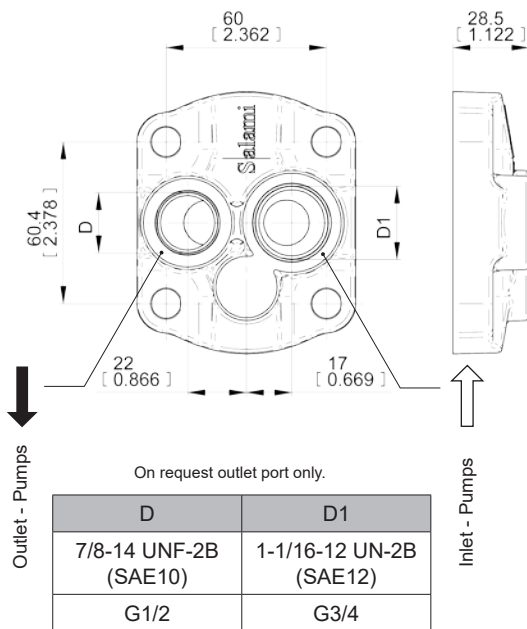


STANDARD REAR COVER



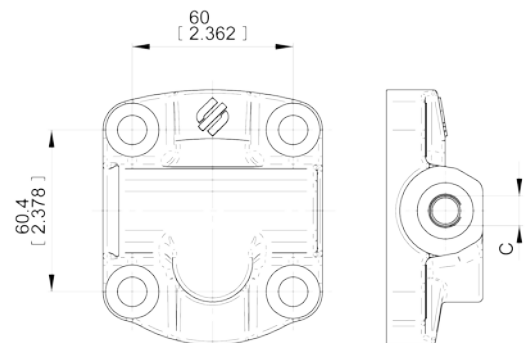
STANDARD REAR COVER WITH EXTERNAL DRAIN C FOR BIDIRECTIONAL PUMPS

C
7/16-20 UNF-2B (SAE4)
G1/4

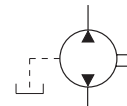


On request outlet port only.

D	D1
7/8-14 UNF-2B (SAE10)	1-1/16-12 UN-2B (SAE12)
G1/2	G3/4



C
7/16-20 UNF-2B (SAE4)
G1/4



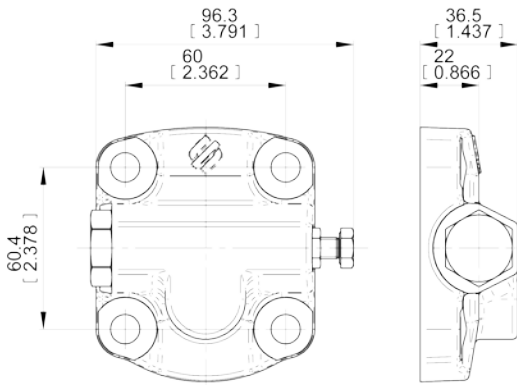
code 1 REAR COVER WITH REAR PORTS

code LD REAR COVER WITH LATERAL DRAIN

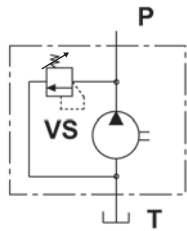
EO.120.0219.02.001M04

REAR COVERS WITH VALVE

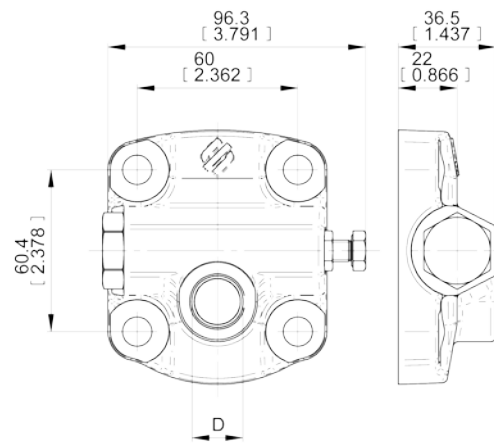
code VS INTERNAL DISCHARGE



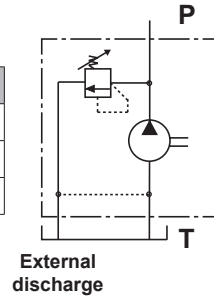
MAIN RELIEF VALVE
setting ranges
30-60 bar
61-120 bar
121-170 bar
171-250 bar



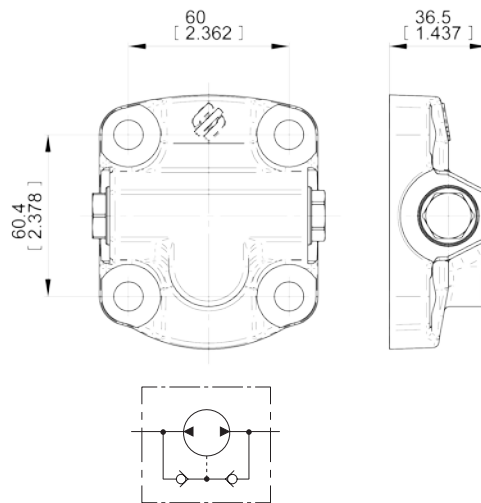
code VSE EXTERNAL DISCHARGE



D (external discharge)
M18x1.5 (METRIC)
3/4-16 UNF-2B (SAE 8)
G3/8 (BSPP)



code IDV REAR COVERS WITH INTERNAL DRAIN

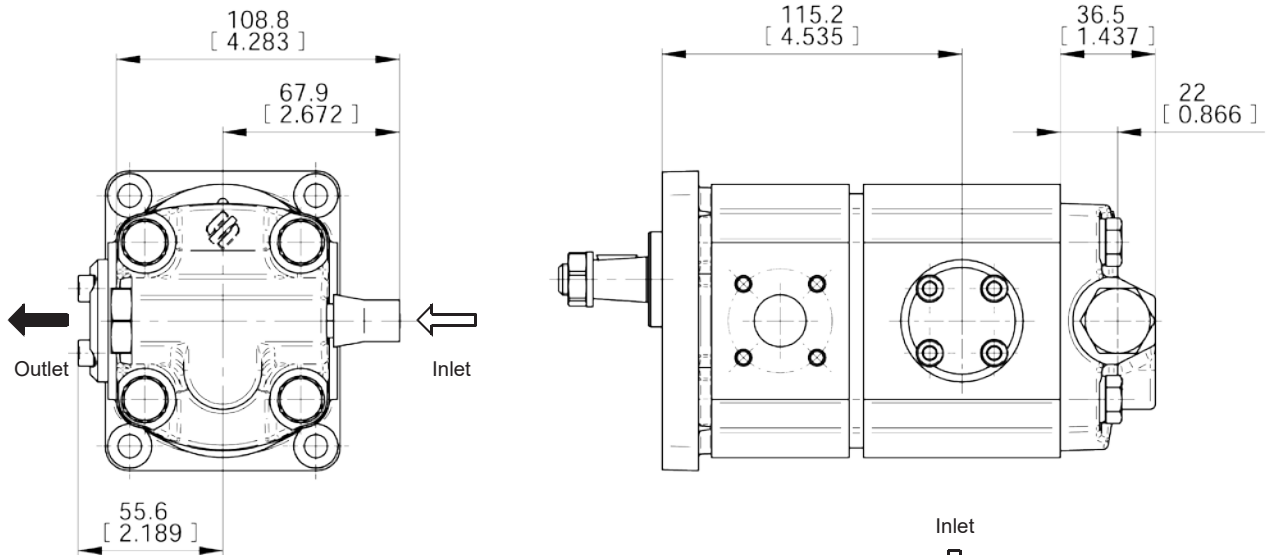


E0.120.0219.02.00IM04



HIGH-LOW MULTIPLE PUMP

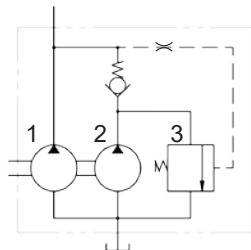
High-Low Multiple Pump is the very ideal pump for applications which require a quick approach and/or return of the actuator at low loads and slow motion of the actuator at high loads. This model offers the advantage of requiring lower power of the motor. High-Low Multiple Pumps is a special double stage pump with integrated valves and has been specially designed for applications such as trash compactors, log splitters, clamping mechanisms, crimping machines, metal forming machines etc.



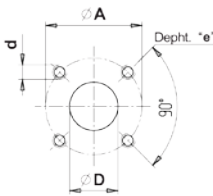
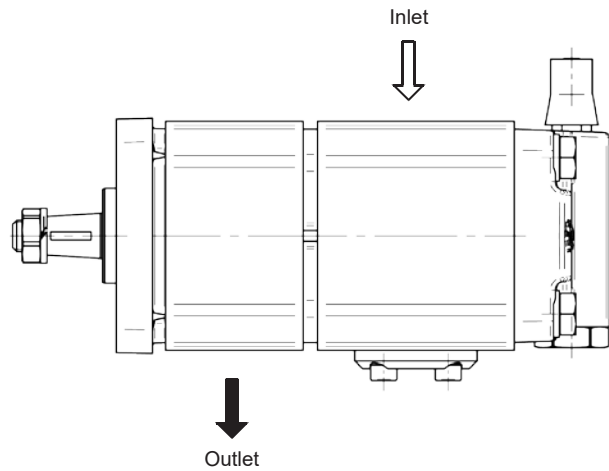
code VSQ

For this Unloading valve you can choose four setting ranges:

- (30-60 bar)
- (60-120 bar)

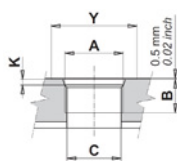


- 1_Stage high pressure
- 2_Stage low pressure
- 3_Unloading valve



code B

Flanged ports
german standard



code R

Threaded ports
SAE (ODT)

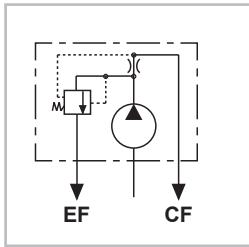
REAR STAGE LOW PRESSURE					FIRST STAGE HIGH PRESSURE				
TYPE	INLET				TYPE	OUTLET			
	Ø D	Ø A	d	e		Ø D	Ø A	d	e
From 8.3 to 19	20 (0.78")	40 (1.56")	M6	13 (0.51")	From 4.5 to 6.5	15 (0.59")	35 (1.38")	M6	13 (0.51")
From 22 to 26	22 (0.87")	55 (2.16")	M8		From 8.3 to 16	20 (0.78")	40 (1.56")		

REAR STAGE LOW PRESSURE						FIRST STAGE HIGH PRESSURE					
TYPE	INLET					TYPE	OUTLET				
	A	B	ØC	Y	K		A	B	ØC	Y	K
From 8.3 to 26	1-5/16 12 UN (SAE16)	16 (0.62")	20 (0.78")	41 (1.61")	3.3 (0.12")	From 4.5 to 16	7/8-14 UNF (SAE 10)	14 (0.54")	13 (0.78")	34 (1.32")	2.5 (0.10")

EO.120.0219.02.001M04



PRESSURE COMPENSATED
PRIORITY FLOW VALVE

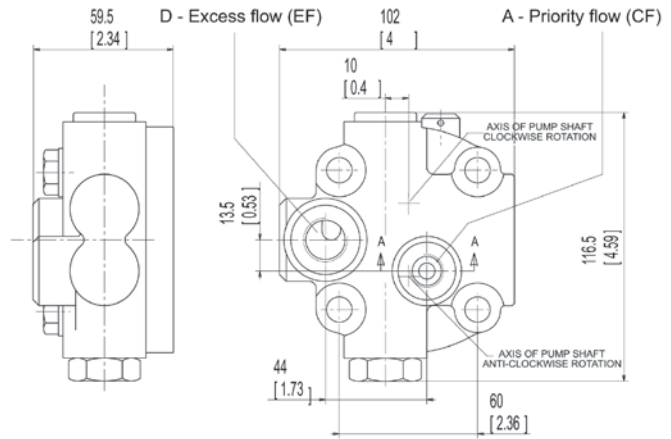


code VP

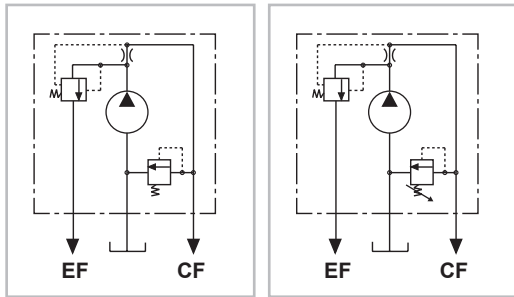
code VP1

Priority flow valve, excess flow to second actuator.

CF = Priority flow port
EF = Excess flow port



VP - VPS
REAR PORTS

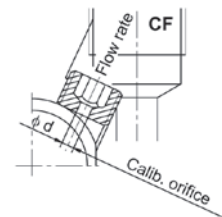


code VPS

code VPS1

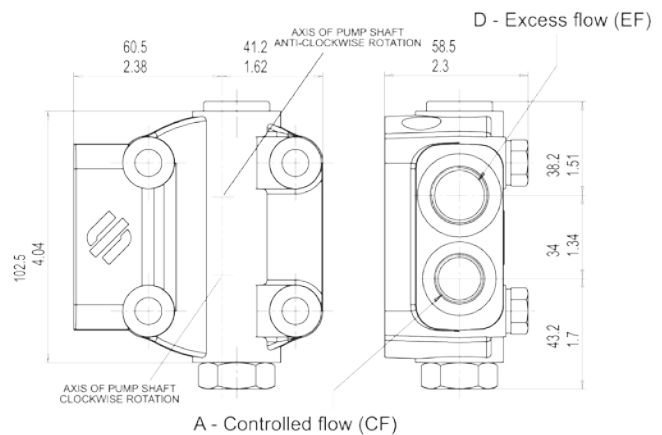
Priority flow valve, excess flow to second actuator with pressure relief valve on priority flow line.

A	D
G 3/8	G 1/2
SAE6 9/16-18 UNF-2B	SAE8 3/4 - 16 UNF - 2B



Det. SECT.A-A

CALIBRATED ORIFICE Φ d (mm/inch)	FLOW RATE (l/min - gpm) ± 10%
1.5 / (0.06")	2.5 - (0.66)
2 / (0.08")	4 - (1.06)
2.4 / (0.09")	6 - (1.59)
2.8 / (0.11")	8 - (2.11)
3.1 / (0.12")	10 - (2.64)
3.5 / (0.14")	12.5 - (3.30)
4 / (0.16")	16 - (4.23)
4.4 / (0.17")	20 - (5.28)
4.9 / (0.19")	25 - (6.61)



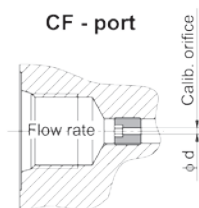
VP1 - VPS1
SIDE PORTS

PRIORITY FLOW VALVE (VP - VPS)

3 Ways flow control priority valve. It ensures a constant flow to CF port, given by the screwed control orifice (see table) and regardless of the pump speed; the excess flow is available for other functions at the EF port.

The two lines CF and EF can be loaded simultaneously and the max pressure of the priority line can be limited by a relief valve connected to the suction port.

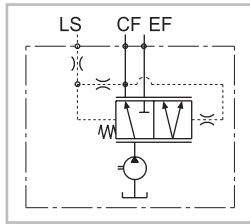
A	D
G 3/8	G 1/2
SAE8 3/4 - 16 UNF - 2B	SAE10 7/8 - 14 UNF - 2B



E0.120.0219.02.00IM04



LOAD SENSING PRIORITY VALVE

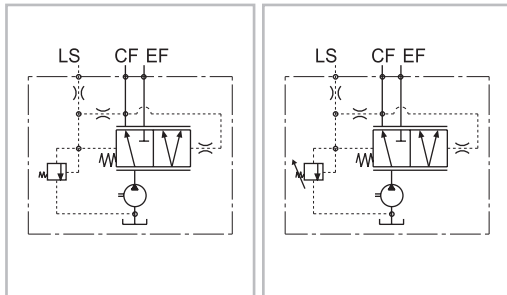


code VPD

code VPD1

Load sensing priority valve with dynamic signal without main relief valve.

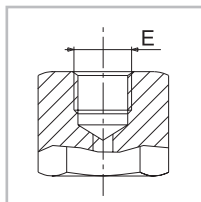
CF = Priority flow port
EF = Excess flow port
LS = Load sensing signal port



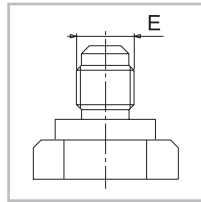
code VPDS

code VPDS1

Load sensing priority valve with dynamic signal with main relief valve.



Female fitting



Male fitting

LOAD SENSING PRIORITY VALVES (VPD1-VPDS1)

The load sensing priority valve is a control valve able to divide the flow generated by the pump, coming from the port P, in two different flows named Qcf and Qef.

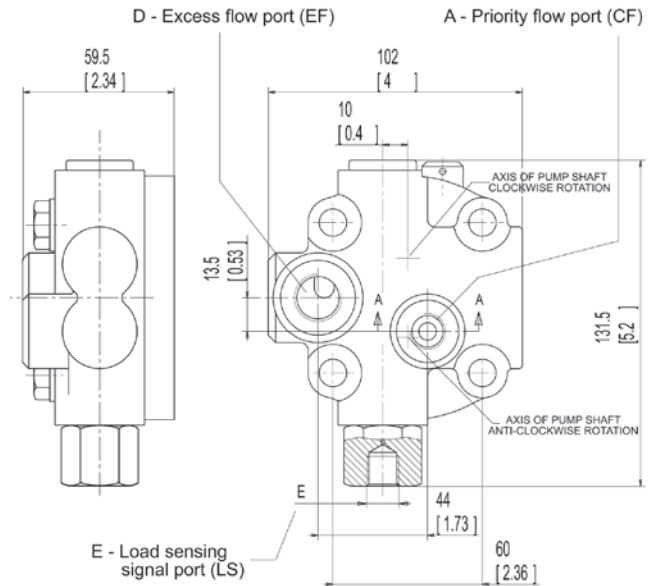
The Qcf flow follows the user request, the flow Qef changes according to the equation:

$$Q_{in} = Q_{cf} + Q_{ef}$$

This valve is used in hydraulic steering systems, the CF port is connected to the inlet of power steering unit while the other functions (lifter etc...) are connected to the EF port. The load sensing LS signal of the valve is connected to the LS of powersteering unit.

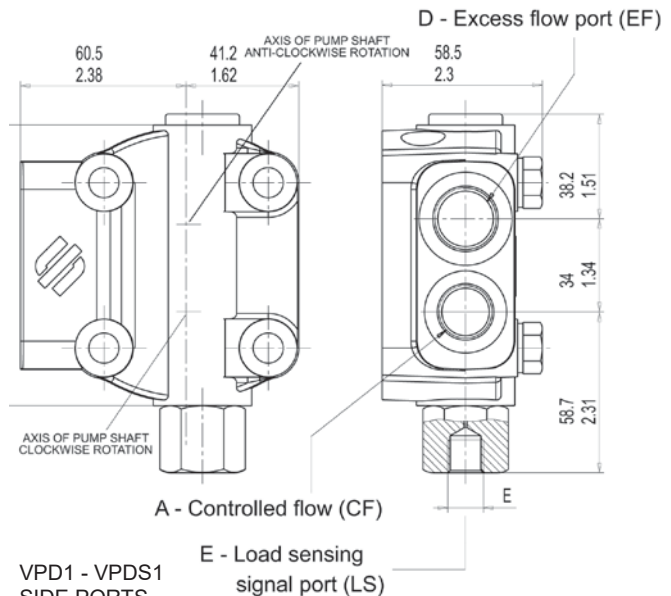
The regulated flow Qcf depends on the steering speed, the remaining flow Qef is available for the other functions and complies with the equation

$$Q_{ef} = Q_{in} - Q_{cf}$$



VPD - VPDS
REAR PORTS Minimum load sensing signal (LS) = 4 bar (28 psi)

A	D	E
G 3/8	G 1/2	G 1/4
SAE6 9/16 - 18 UNF - 2B	SAE8 3/4 - 16 UNF - 2B	SAE4 7/16 - 20 UNF - 2B



VPD1 - VPDS1
SIDE PORTS

Minimum load sensing signal (LS) = 4 bar (28 psi)

A	D	E
G 3/8	G 1/2	G 1/4
SAE8 3/4 - 16 UNF - 2B	SAE10 7/8 - 14 UNF - 2B	SAE4 7/16 - 20 UNF - 2B

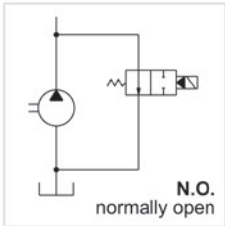
EO.120.0219.02.001M04



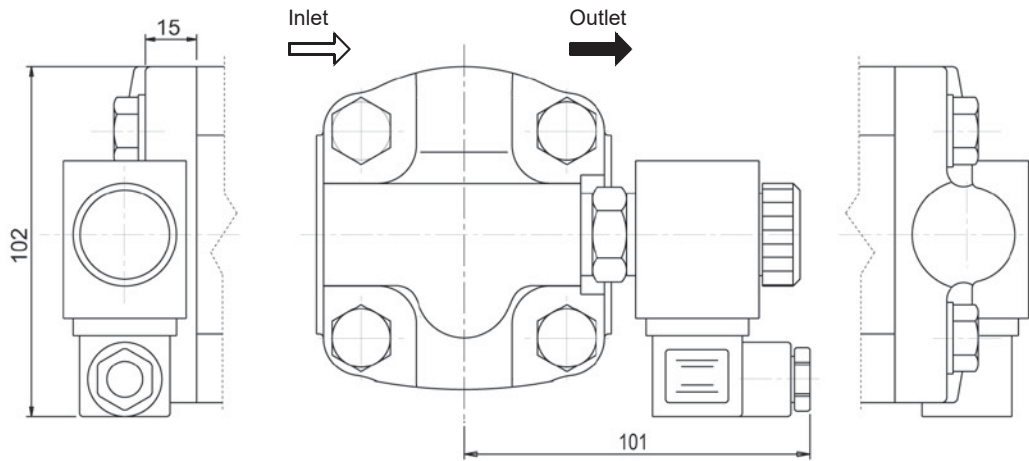
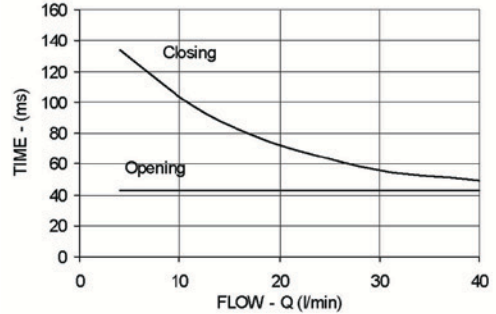
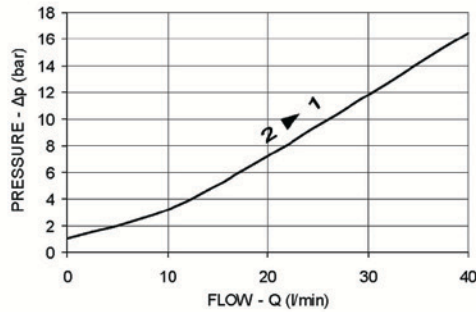
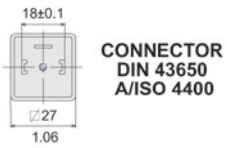
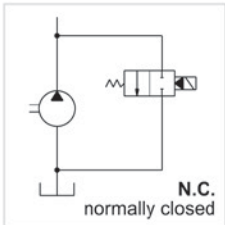
ELECTRIC UNLOADING VALVE

code EV

EV1 - 12 Vcc
EV2 - 24 Vcc

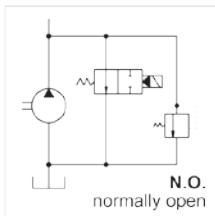


EV3 - 12 Vcc
EV4 - 24 Vcc

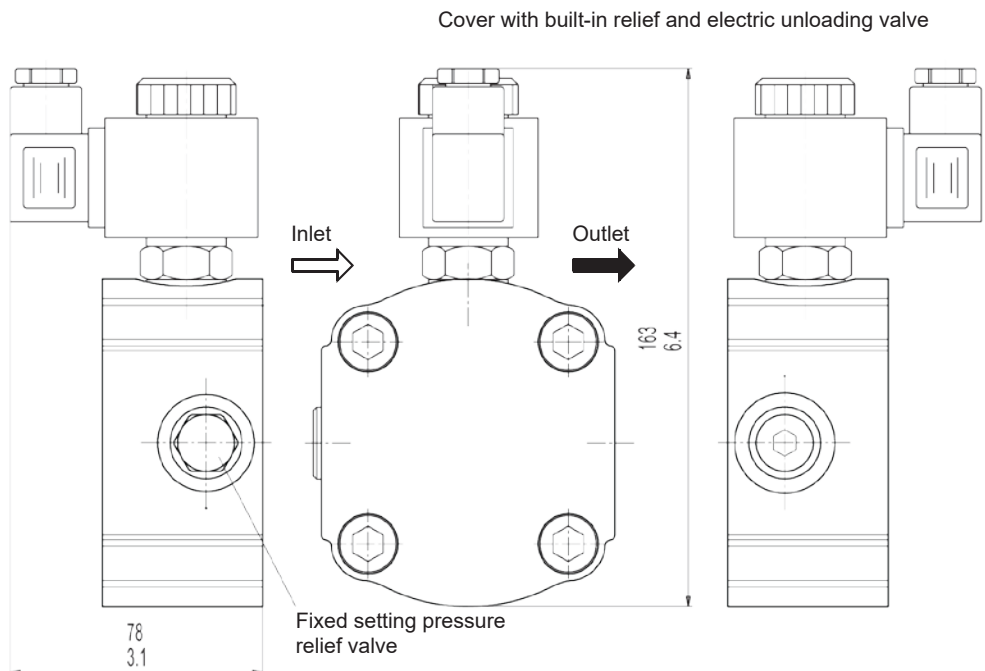
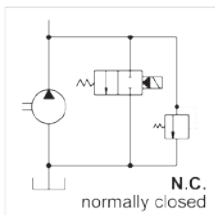


code EVS

EVS1 - 12 Vcc
EVS2 - 24 Vcc



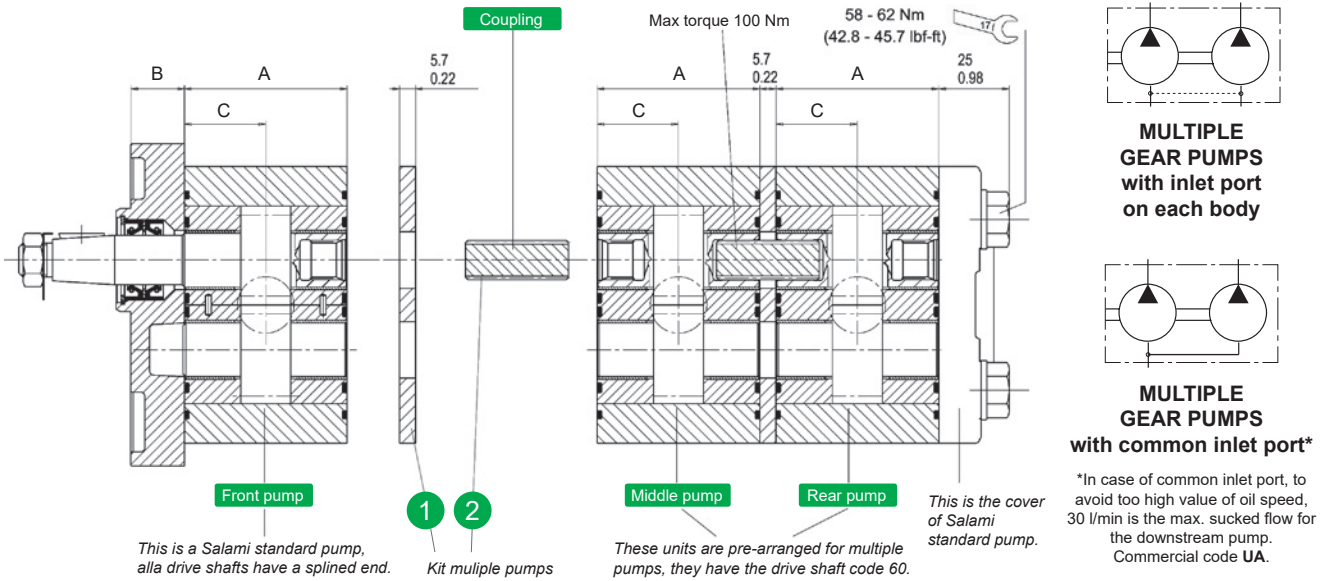
EVS3 - 12 Vcc
EVS4 - 24 Vcc



E0.120.0219.02.00IM04



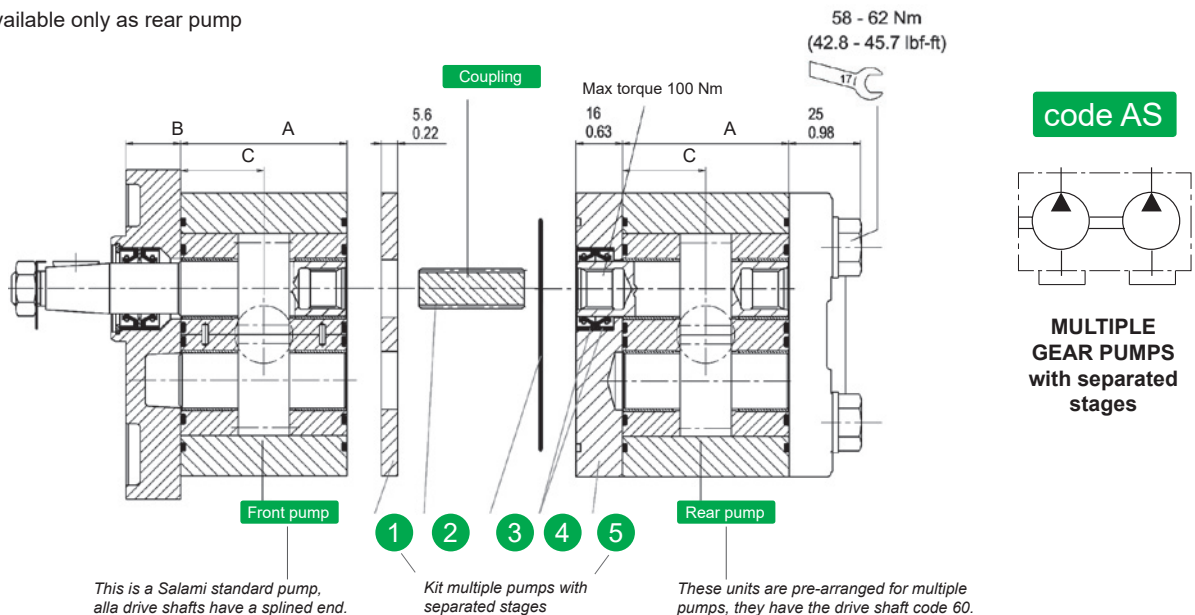
**MULTIPLE GEAR PUMPS
ASSEMBLING DIMENSIONS**



The 2PE pumps can be easily transformed into front pump in the multiple units. All drive shafts are pre-arranged and have a splined end according DIN 5480. The first unit must always be the same size or bigger than following units. The features and performances are the same of the corresponding single units: only in the case of simultaneous operating you have to verify that the inlet torque is lower than the max. transmissible by the drive shaft. Finally to assembly the multiple pump you need to order bolts of the right length.

Type		3.2*	3.9*	4.5	6.5	8.3	10.5	11.3	12.5	13.8	16	19	22.5	26
Dimension B (flanges B2 - B3)	mm	16.5												
	in	0.65												
Dimension B (flanges P1 - S2 - B1)	mm	19												
	in	0.75												
Dimension C	mm	23.55		25	26.4	28.15	29.75	31.75	33.75	37.8	40.5	43.4		
	in	0.91		0.98	1.04	1.11	1.17	1.25	1.33	1.49	1.59	1.71		
Dimension A	mm	47.1		49.95	52.8	56.3	59.7	63.5	67.5	75.6	81	86.8		
	in	1.83		1.97	2.07	2.22	2.35	2.5	2.65	2.97	3.19	3.42		

*Available only as rear pump



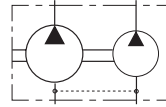
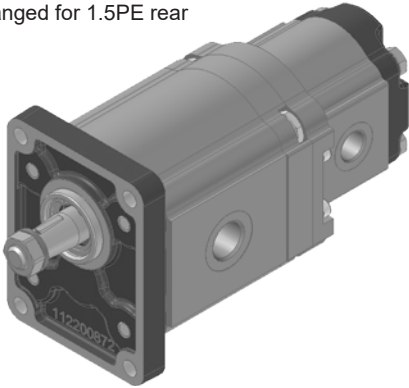
EO.120.0219.02.001M04



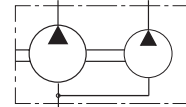
2PE COMBINATION WITH PUMP 1.5PE

PD1.5

Kit multiple pumps
Pre-arranged for 1.5PE rear



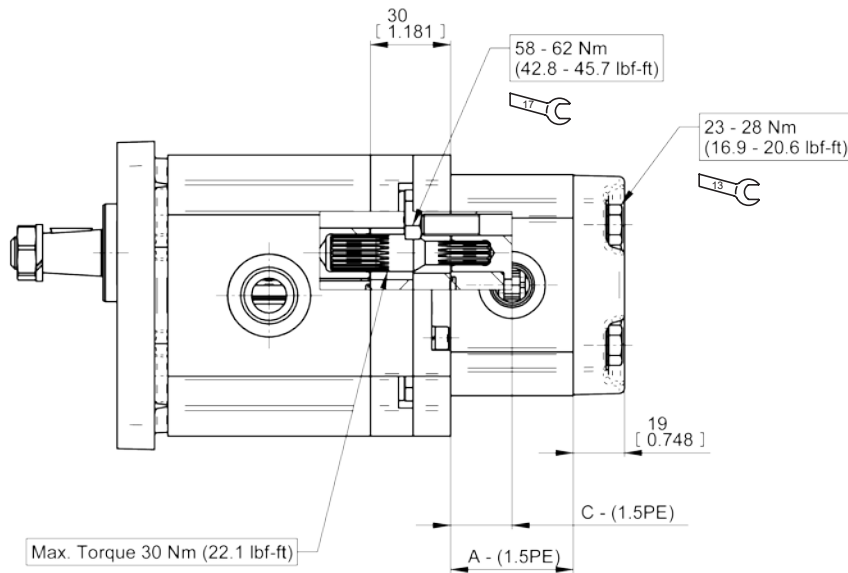
**MULTIPLE
GEAR PUMPS
with inlet port
on each body**



**MULTIPLE
GEAR PUMPS
with common
inlet port***

*In case of common inlet port, to avoid too high value of oil speed, 12 l/min is the max. sucked flow for the downstream pump. Commercial code **UA**.

ALL THE PUMPS
CAN BE ALSO
MULTIPLE



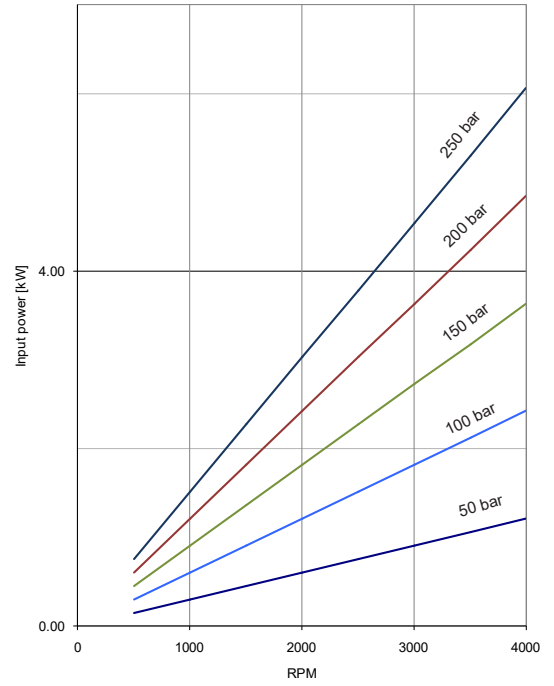
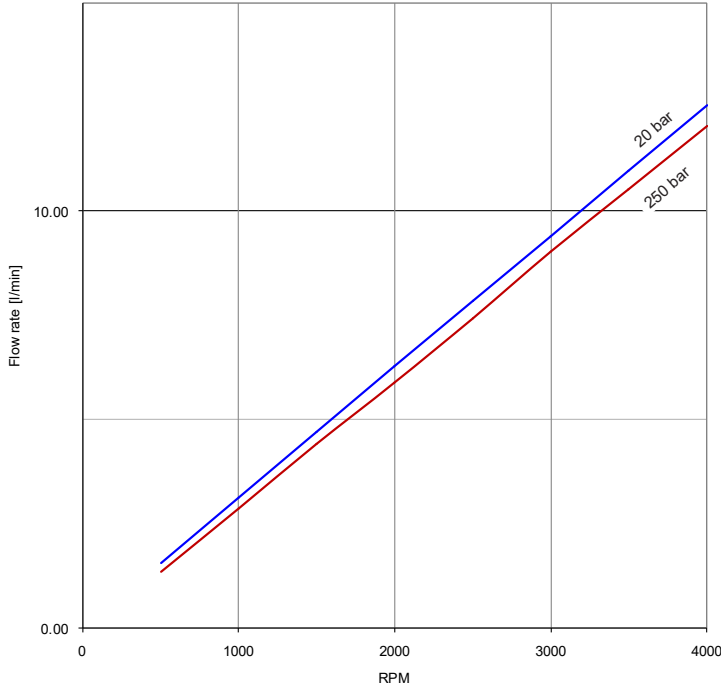
1.5PE-Type		1.4	2.1	2.8	3.5	4.1	5.2	6.2	7.6	9.3	11
Dimension A - 1.5PE	mm	44	45.9	47.9	49.9	51.6	54.7	57.5	61.5	66.3	71.1
	in	1.73	1.81	1.89	1.96	2.03	2.15	2.26	2.42	2.61	2.80
Dimension C - 1.5PE	mm	22	22.95	23.95	24.95	25.8	27.35	28.75	30.75	33.15	35.55
	in	0.87	0.90	0.94	0.98	1.02	1.08	1.13	1.21	1.31	1.40

E0.120.0219.02.00IM04

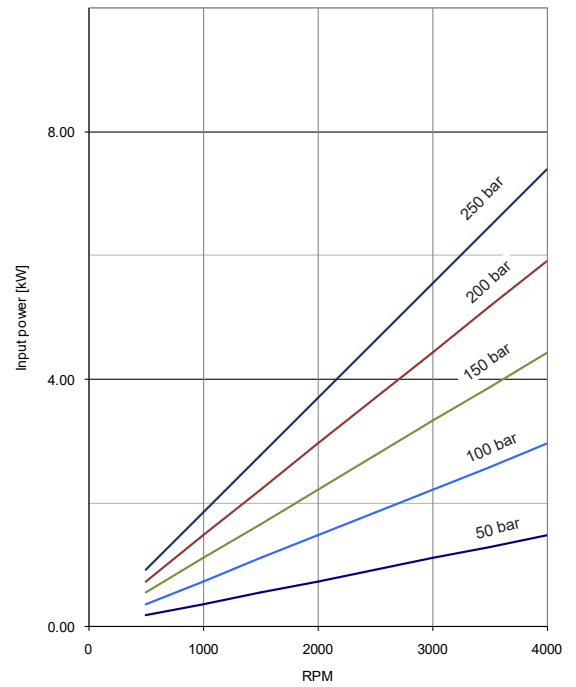
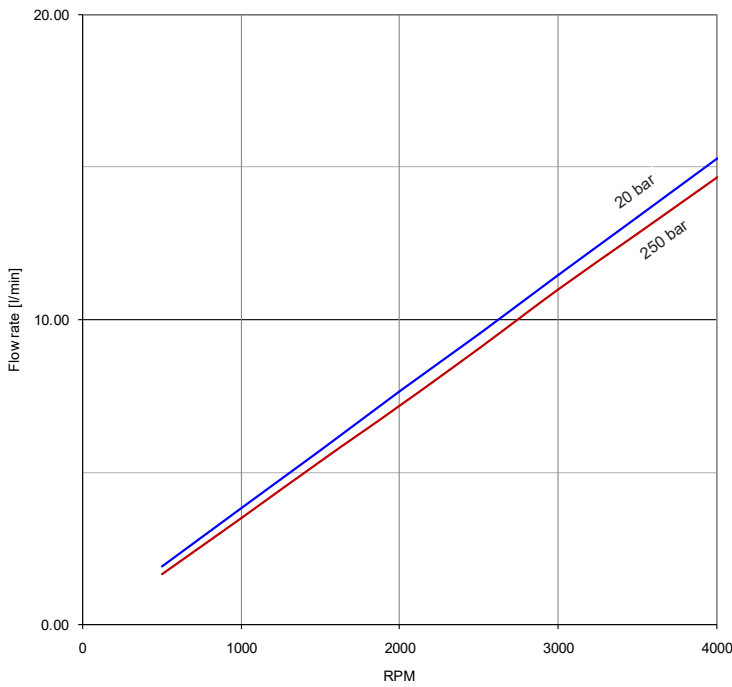


PERFORMANCE CURVES

Performance curves carried out with oil viscosity at 21 cSt and oil temperature at 50°C



2PE - 3.2



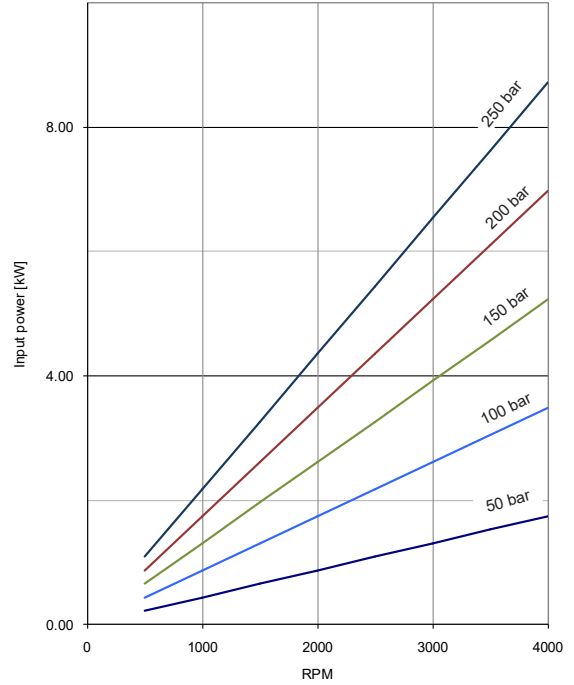
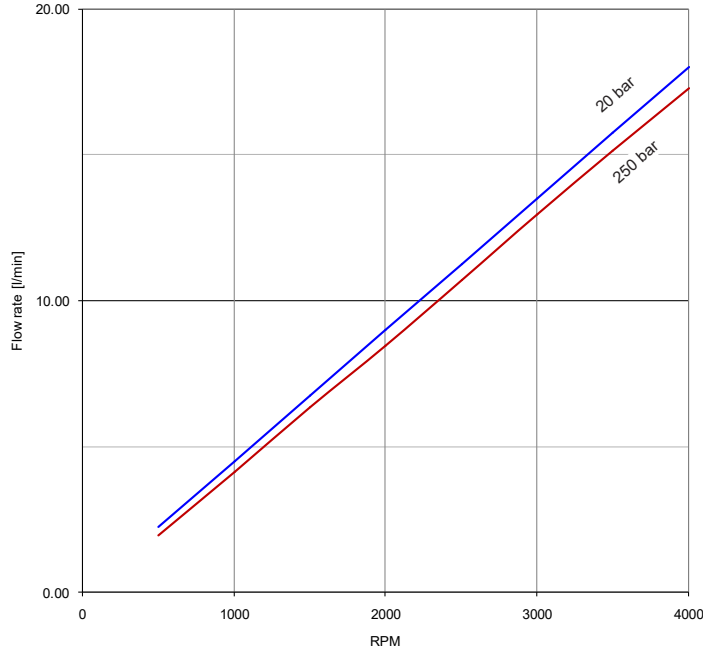
2PE - 3.9

EO.120.0219.02.001M04

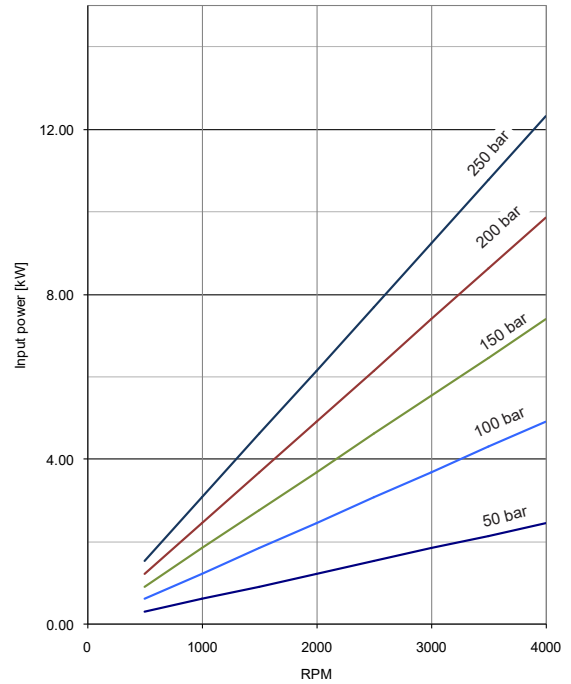
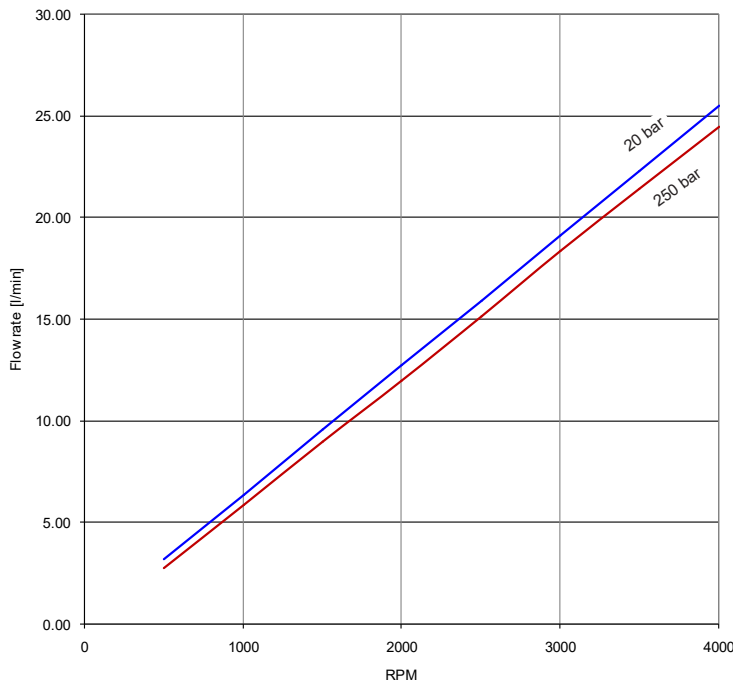


PERFORMANCE CURVES

Performance curves carried out with oil viscosity at 21 cSt and oil temperature at 50°C



2PE - 4.5



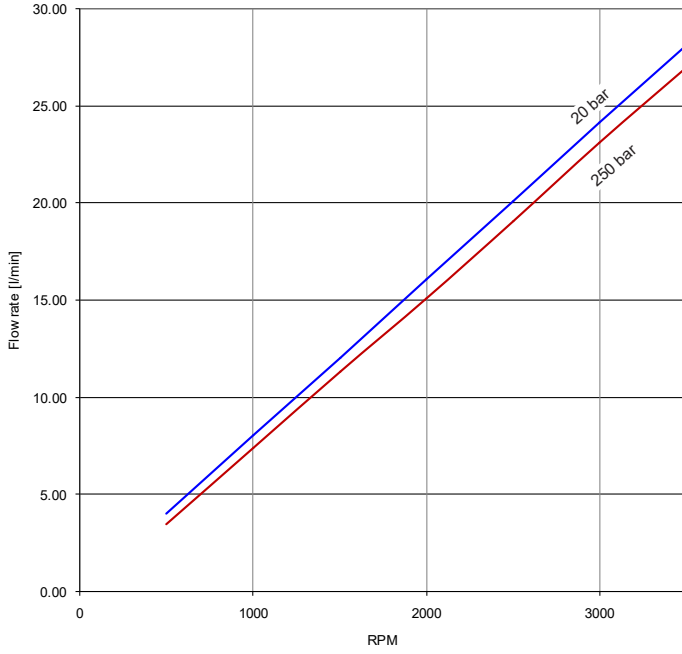
2PE - 6.5

E0.120.0219.02.00IM04

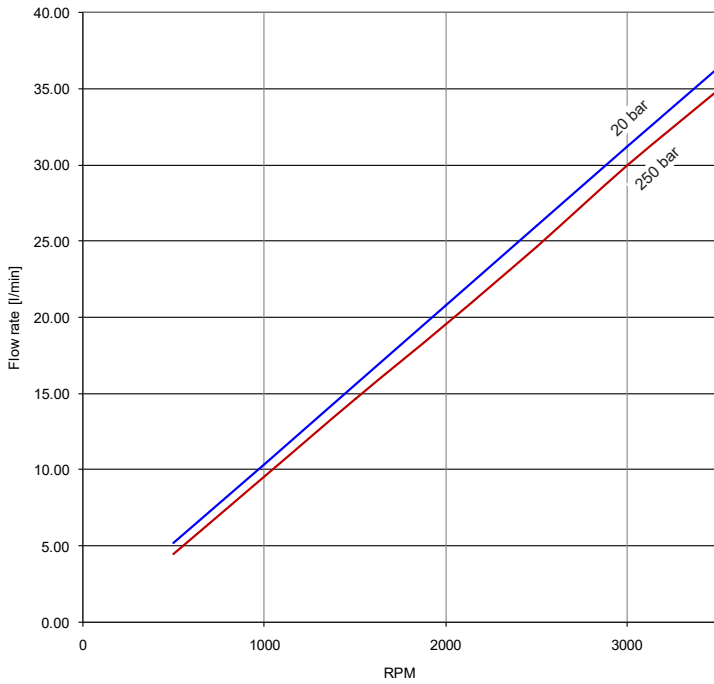
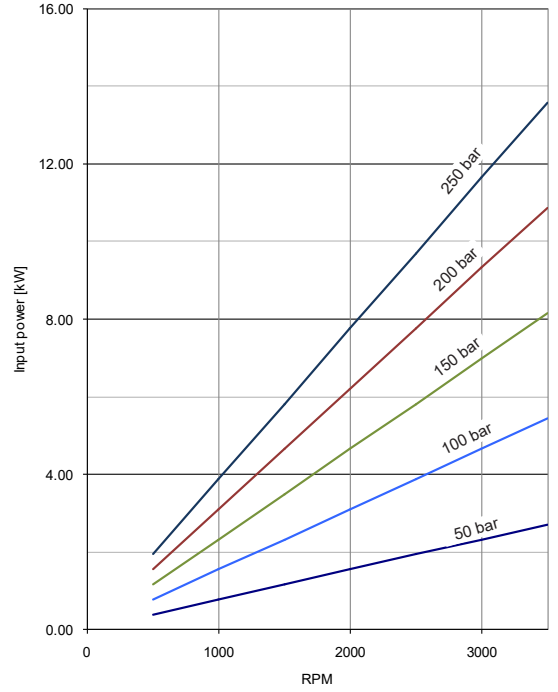


PERFORMANCE CURVES

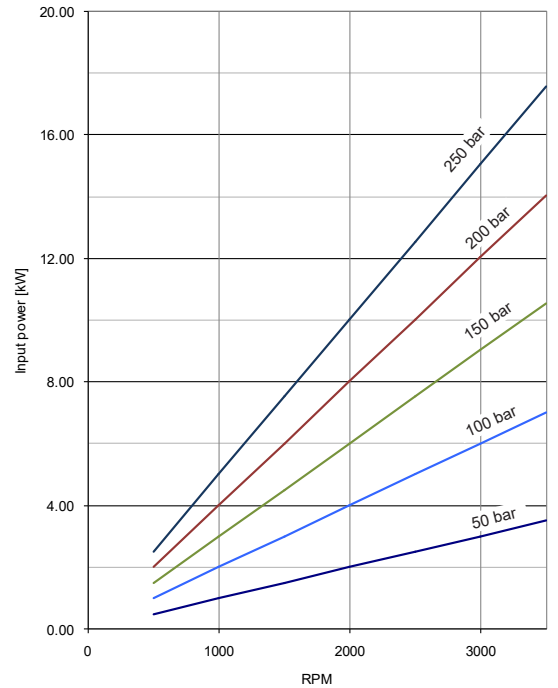
Performance curves carried out with oil viscosity at 21 cSt and oil temperature at 50°C



2PE - 8.3



2PE - 10.5

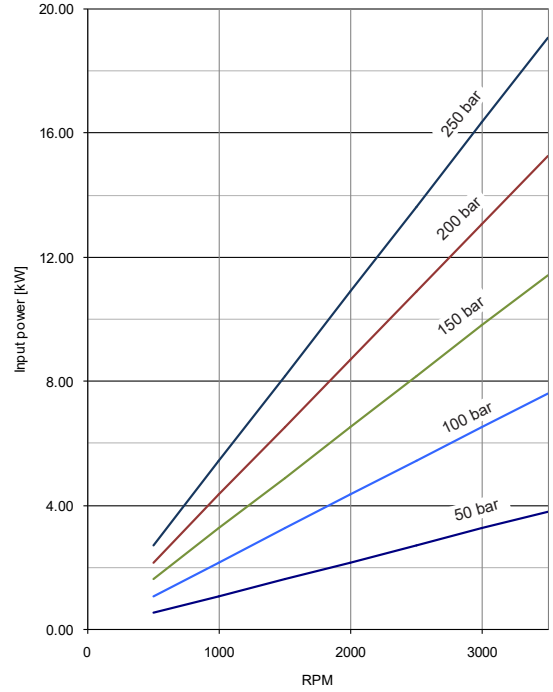
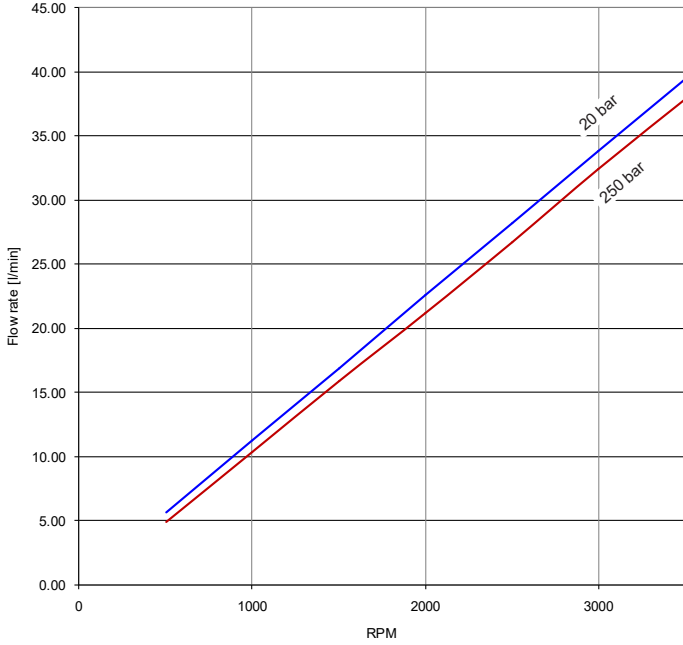


EO.120.0219.02.001M04

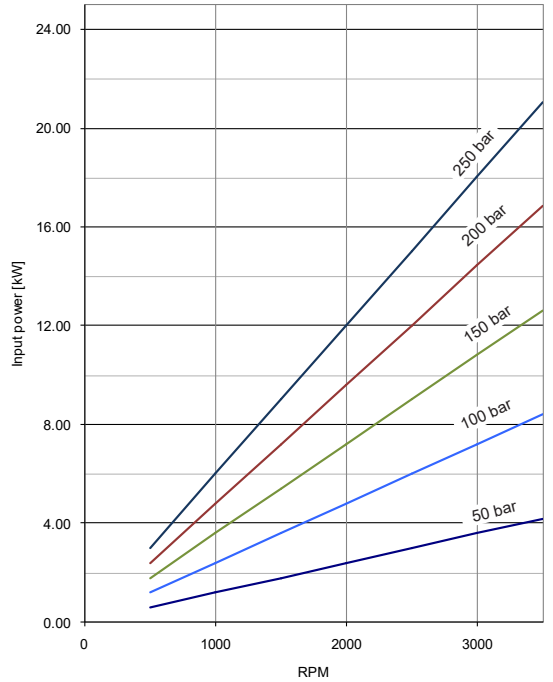
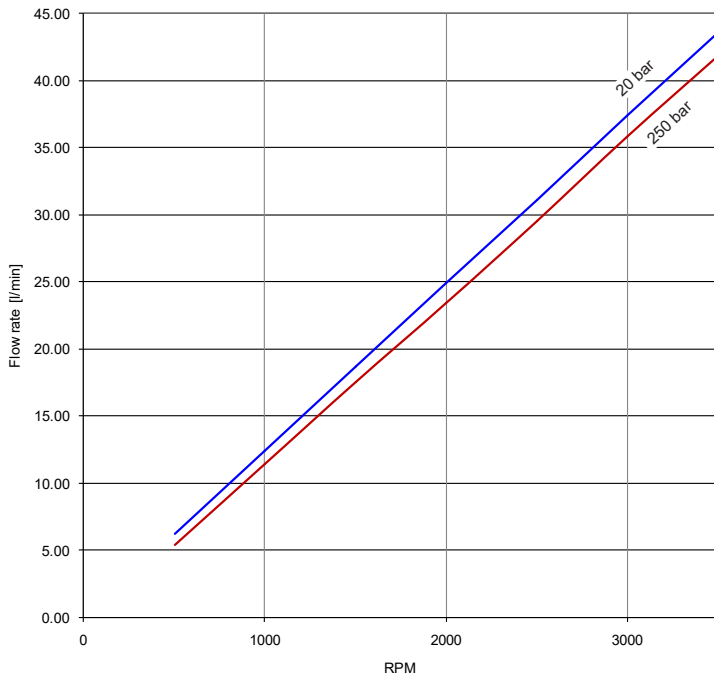


PERFORMANCE CURVES

Performance curves carried out with oil viscosity at 21 cSt and oil temperature at 50°C



2PE - 11.3



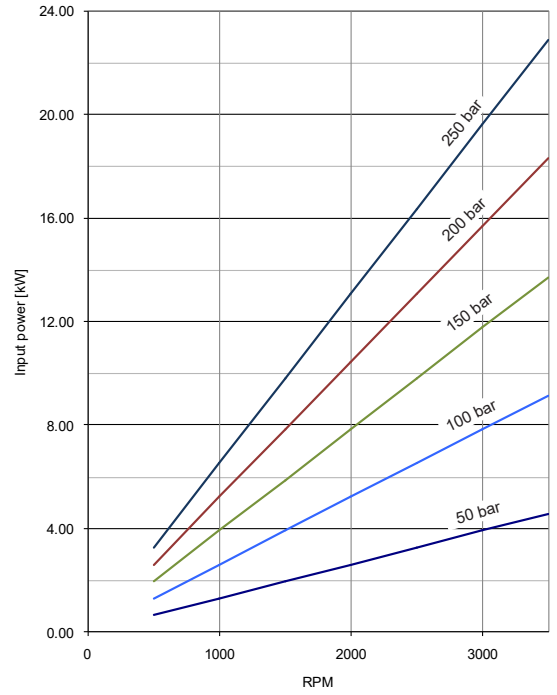
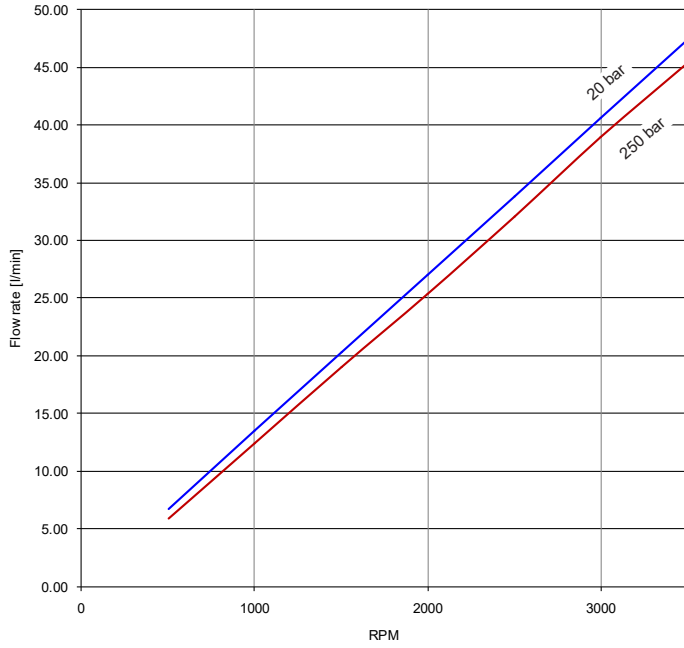
2PE - 12.5

E0.120.0219.02.00IM04

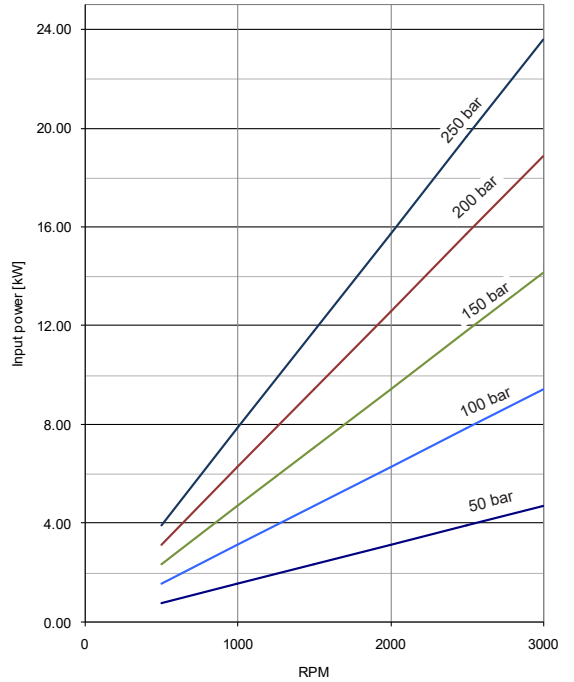
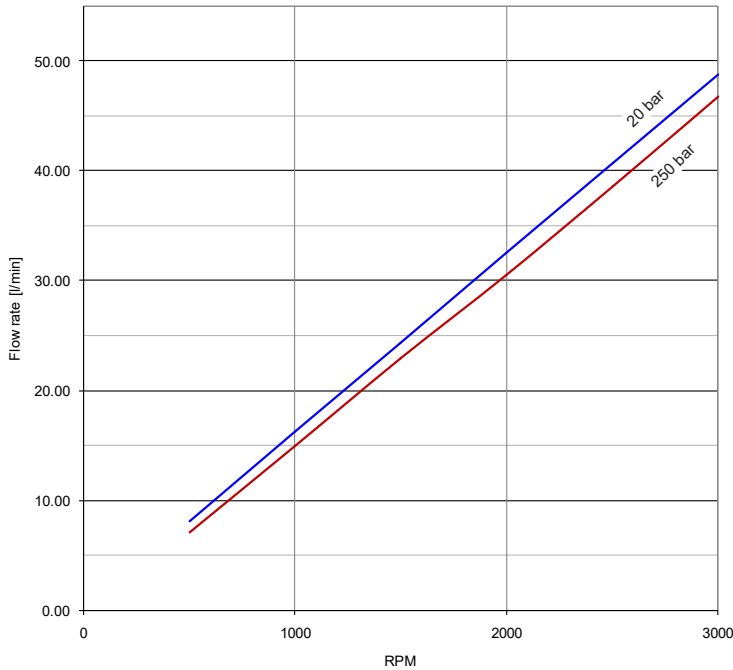


PERFORMANCE CURVES

Performance curves carried out with oil viscosity at 21 cSt and oil temperature at 50°C



2PE - 13.8



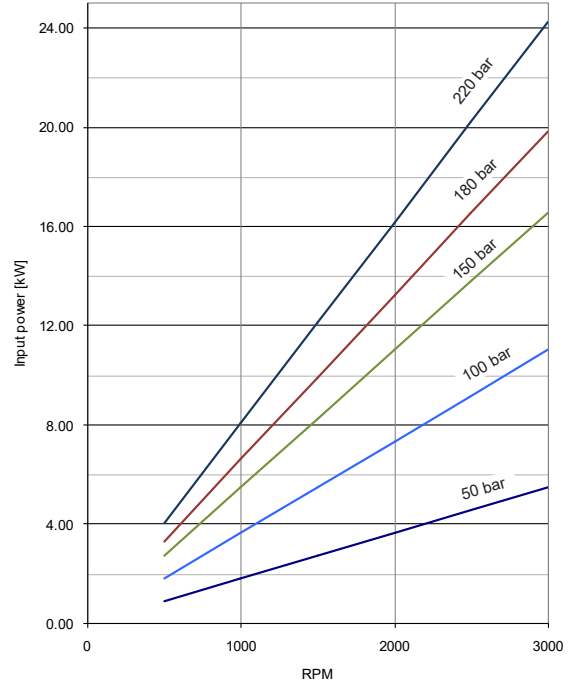
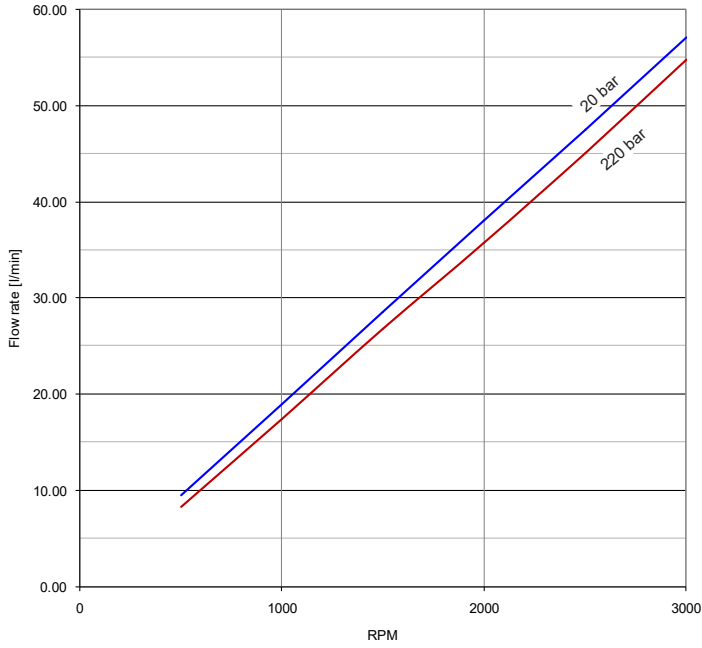
2PE - 16

EO.120.0219.02.001M04

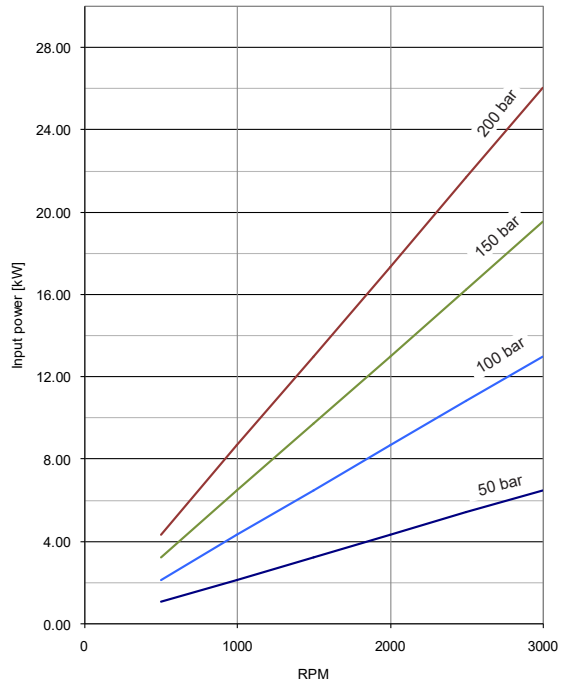
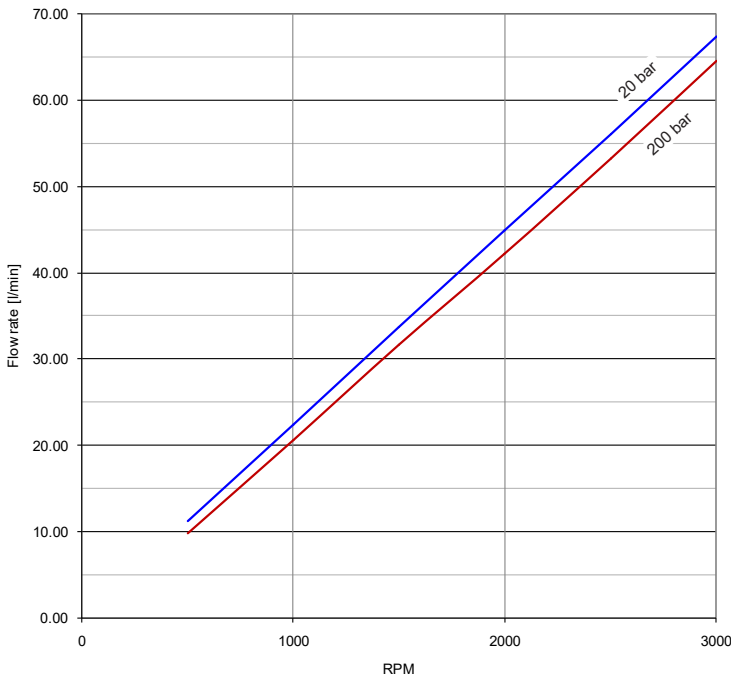


PERFORMANCE CURVES

Performance curves carried out with oil viscosity at 21 cSt and oil temperature at 50°C



2PE - 19



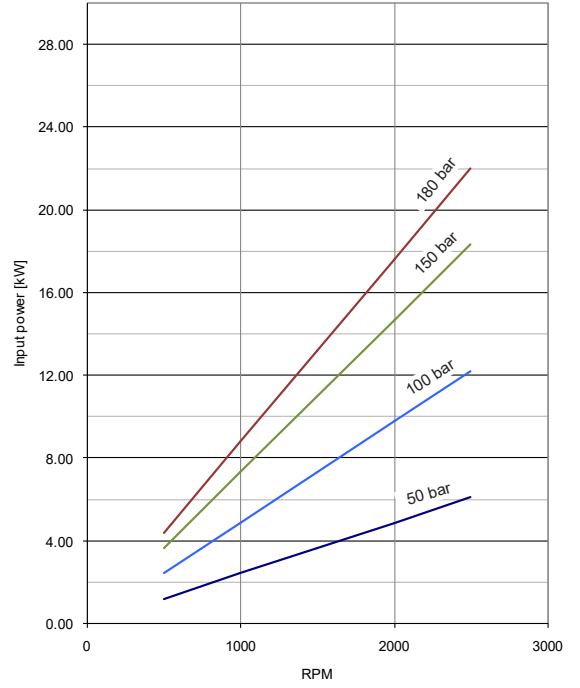
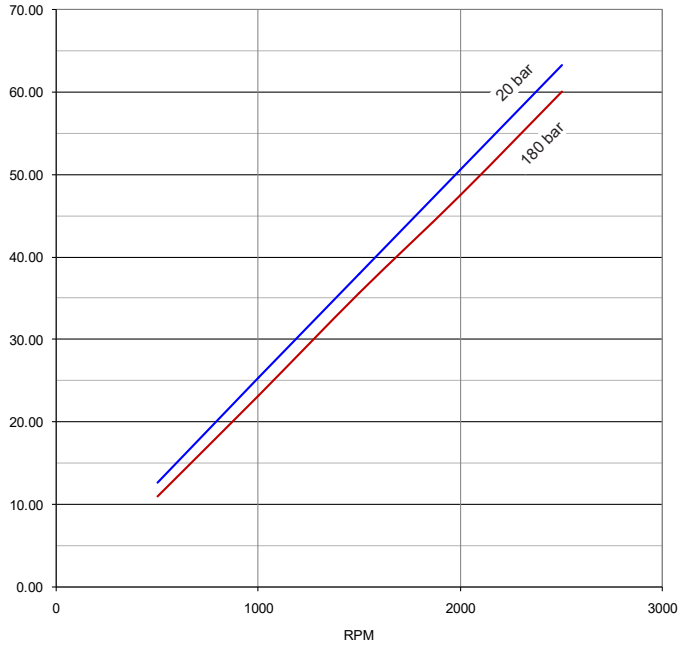
2PE - 22.5

E0.120.0219.02.00IM04



PERFORMANCE CURVES

Performance curves carried out with oil viscosity at 21 cSt and oil temperature at 50°C



2PE - 26



SINGLE PUMPS

Adjustable flow l/min
Setting main relief valve (bar)

2PE
 A
 B
 -
 C D E
 -
 F
 -
 G
 -
 H
 -
 I
 -
 L
 ... / ...

DISPLACEMENTS		A	CODES
4.6 cm ³ /rev.	0.27 cu.in/rev.		4.5
6.5 cm ³ /rev.	0.40 cu.in/rev.		6.5
8.2 cm ³ /rev.	0.50 cu.in/rev.		8.3
10.6 cm ³ /rev.	0.65 cu.in/rev.		10.5
11.5 cm ³ /rev.	0.68 cu.in/rev.		11.3
12.5 cm ³ /rev.	0.77 cu.in/rev.		12.5
13.8 cm ³ /rev.	0.84 cu.in/rev.		13.8
16.6 cm ³ /rev.	1.01 cu.in/rev.		16
19.4 cm ³ /rev.	1.18 cu.in/rev.		19
22.9 cm ³ /rev.	1.37 cu.in/rev.		22.5
25.8 cm ³ /rev.	1.58 cu.in/rev.		26

ROTATION (page 6)	CODES	B
Clockwise		D
Anti-clockwise		S
Reversible		R

PORTS (page 35)	CODES	C
Flanged ports european standard		P
Flanged ports german standard		B
Threaded ports GAS (BSPP)		G
Threaded ports SAE (ODT)		R

DRIVE SHAFT (page 36)	CODES	D
Tang drive for engine driven	02	
Tang drive for electric motors	03	
Tang drive	04	
Tapered 1:5	25	
Tapered 1:5 (only for CB)	26	
Tapered 1:8	28	
SAE A splined 9T	52	
SAE A splined 10T	53	
SAE A splined 11T	54	
SAE B splined 13T	55	
DIN 5480 internal splined (only for rear pumps-see page 51)	60	
9 teeth DIN 5482 splined	62	
5/8" SAE A parallel	82	
3/4" SAE A parallel	85	

L VALVES IN THE COVER (page 45)	CODES
Lateral Drain	LD
Adjustable main relief valve	VS
Fixed setting main relief valve	VSE
Internal drain	IDV
Priority flow divider with excess flow to 2nd actuator	VP-VP1
Like VP with main relief valve	VPS-VPS1
Priority flow divider with Load sensing with dynamic signal	VPD-VPD1
Load sensing priority valve with dynamic signal with main relief valve	VPDS-VPDS1
Electric unloading valve (12V)	EV1/EV3
Electric unloading valve (24V)	EV2/EV4
Main relief and electric unloading valves (12V)	EVS1/EVS3
Main relief and electric unloading valves (24V)	EVS2/EVS4

I REAR COVER (page 52)	CODE
Pre-arranged for 1.5PE rear	PD1.5

H OUTRIGGER BEARING (page 41)	CODES
European standard	CP
German standard	CB
For engine endothermic motors	CL
For endothermic motors with axial and radial loads	CF
SAE A	CS

G PORTS POSITION	CODE
Lateral ports standard	
Rear ports (page)	1

F SEAL	CODE
Buna standard	
Viton	V

E MOUNTING FLANGES (page 38)	CODES
European standard	P1
German standard Ø80	B1
German standard Ø52	B2-B3
German standard Ø50	B4-B5
SAE A 2 bolts	S2
SAE B 2 bolts	S3
SAE A 2 bolts (with o-ring on the centering collar)	S6
4 bolts for Iveco motor	C1
4 bolts for Perkins motor	K1
German standard with shaft seal Ø52	K3
German standard with shaft seal Ø52	K4
2 threaded holes flange for Perkins motor	MF

Order example: 2PE 19D, ports SAE (R), drive shaft (52), mounting flange (S2) with valve in the cover (VPS 12.5 l/min) and pressure relief valve setting 180 bar:
2PE19D-R52S2-VPS12.5/180

E0.120.0219.02.00IM04



MULTIPLE PUMPS

Setting main relief valve (bar)

Adjustable flow l/min

DISPLACEMENTS		A	CODES
3.2 cm ³ /rev.	0.19 cu.in/rev.	3.2*	
3.9 cm ³ /rev.	0.24 cu.in/rev.	3.9*	
4.6 cm ³ /rev.	0.27 cu.in/rev.	4.5	
6.5 cm ³ /rev.	0.40 cu.in/rev.	6.5	
8.2 cm ³ /rev.	0.50 cu.in/rev.	8.3	
10.6 cm ³ /rev.	0.65 cu.in/rev.	10.5	
11.5 cm ³ /rev.	0.68 cu.in/rev.	11.3	
12.5 cm ³ /rev.	0.77 cu.in/rev.	12.5	
13.8 cm ³ /rev.	0.84 cu.in/rev.	13.8	
16.6 cm ³ /rev.	1.01 cu.in/rev.	16	
19.4 cm ³ /rev.	1.18 cu.in/rev.	19	
22.9 cm ³ /rev.	1.37 cu.in/rev.	22.5	
25.8 cm ³ /rev.	1.58 cu.in/rev.	26	

*Available only as rear pump

ROTATION (page 6)	CODES	B
Clockwise	D	
Anti-clockwise	S	

PORTS (page 35)	CODES	C
Flanged ports european standard	P	
Flanged ports german standard	B	
Threaded ports GAS (BSPP)	G	
Threaded ports SAE (ODT)	R	

DRIVE SHAFT (page 36)	CODES	D
Tang drive for engine driven	02	
Tang drive for electric motors	03	
Tang drive	04	
Tapered 1:5	25	
Tapered 1:5 (only for CB)	26	
Tapered 1:8	28	
SAE A splined 9T	52	
SAE A splined 10T	53	
SAE A splined 11T	54	
SAE B splined 13T	55	
9 teeth DIN 5482 splined	62	
5/8" SAE A parallel	82	
3/4" SAE A parallel	85	

M VALVES IN THE COVER (page 45)		CODES
Lateral Drain	LD	
Adjustable main relief valve	VS	
Fixed setting main relief valve	VSE	
Internal drain	IDV	
Unloading valve	VSQ	
Priority flow divider with excess flow to 2nd actuator	VP-VP1	
Like VP with main relief valve	VPS-VPS1	
Priority flow divider with Load sensing with dynamic signal	VPD-VPD1	
Load sensing priority valve with dynamic signal with main relief valve	VPDS-VPDS1	
Electric unloading valve (12V)	EV1/EV3	
Electric unloading valve (24V)	EV2/EV4	
Main relief and electric unloading valves (12V)	EVS1/EVS3	
Main relief and electric unloading valves (24V)	EVS2/EVS4	

L REAR COVER (page 52)	CODE
Pre-arranged for 1.5PE rear	PD1.5

I OUTRIGGER BEARING (page 41)	CODES
European standard	CP
German standard	CB
For engine endothermic motors	CL
For endothermic motors with axial and radial loads	CF
SAE A	CS

H PORTS POSITION	CODE
Lateral ports standard	
Rear ports (page)	1

G SUCTION PORTS	CODES
Common suction	UA*
Separated stages	AS

F SEAL	CODE
Buna standard	
Viton	V

E MOUNTING FLANGES (page 38)	CODES	MOUNTING FLANGES	CODES
European standard	P1	SAE A 2 bolts (with o-ring on the centering collar)	S6
German standard Ø80	B1	4 bolts for Iveco engines	C1
German standard Ø52	B2-B3	4 bolts for Perkins motor	K1
German standard Ø50	B4-B5	German standard with shaft seal Ø52	K3
SAE A 2 bolts	S2	German standard with shaft seal Ø52	K4
SAE B 2 bolts	S3	2 threaded holes flange for Perkins motor	MF

*UA: this type of multiple pump is a Salami standard multiple pump which has only one inlet port opened, all the other inlet port are closed.
In case of common suction, the code 1 - 2 or 3, correspond to the body where inlet is located.

EO.120.0219.02.001M04



www.salami.it

You can find our most up to date “STANDARD SALES CONDITIONS” on our website.
Potete trovare le nostre più aggiornate “CONDIZIONI DI VENDITA STANDARD” sul nostro sito.

Ph. +39 059 387 411 - sales@salami.it



Watch our tutorials on our official youtube channels:

Salami Fluid Power
Salami Fluid Power World
Salami Fluid Power France
Salami Fluid Power España
Salami Fluid Power Deutsch

SALAMI S.P.A.

Via Emilia Ovest 1006
41123 Modena (Italy)
Ph. +39 059 387 411
F. +39 059 387 639
sales@salami.it

SALAMI ESPAÑA

Poligono Industrial Armenteres
C/Primer de Maig, 18, Nave 4
08980 San Feliu de Llobregat
Barcelona
Ph. +34-93-6665451
F. +34-93-6667826
info@salamispain.com

SALAMI FRANCE

22, rue Louis Saillant
69120 Valux en Velin
Lyon
Ph. +33-04-78809941
F. +33-04-78803669
e.pasian@salami.fr

SALAMI HYDRAULICS N.A INC

4630 Crossroads Park Drive
Liverpool
NY 13088 - USA
Ph. +1-315-295-2363
F. +1-315-295-2364
info@salamihydraulics.com